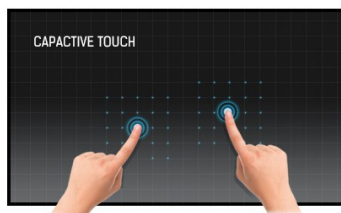




22" 10 point multi-touch monitor with Edge to Edge glass

With 1920x1080 Full HD resolution and Projective Capacitive 10 point touch technology, the ProLite T2235MSC delivers seamless and accurate touch response. Featuring VA LED-backlit LCD screen technology, it offers exceptional colour performance and wide viewing angles, making it an excellent choice for a vast array of demanding interactive applications. Users can benefit from its hinged stand allowing the monitor to lay down completely flat for use as a giant tablet. The T2235MSC comes equipped with several video inputs and stereo speakers delivering good quality sound. An ideal screen for Interactive Digital Signage, InStore Retail, Gaming and Interactive Presentations purposes.



TOUCH TECHNOLOGY - CAPACITIVE

This technology uses a sensor-grid of micro-fine wires integrated into the glass that covers the screen. Touch is detected because electrical characteristics of the sensor grid change when human finger is placed on the glass. Thanks to the glass overlay this technology is highly durable, and the touch function remains unaffected even if the glass is scratched. It offers perfect picture performance and will work with human finger (gloved or not) and magnetic ball.



VA panel technology offers higher contrast, darker blacks and much better viewing angles than standard TN technology. The screen will look good no matter what angle you look at it.

1. DISPLAY CHARACTERISTICS

DIAGONAL	21.5"; 54.6cm
TOUCHTECHNOLOGY	projective capacitive, multitouch (10 compatible touch points - HID, only with supported OS), activated by finger
PANEL	VA LED-Backlit
DISPLAY AREA H X W	267.8 x 476.1 mm; 10.5" x 18.7"
RESPONSE TIME	6 ms
CONTRAST	12 000 000 : 1 ACR
CONTRAST	3 000 : 1 with touch panel
BRIGHTNESS	225 cd/m ² with touch panel
VIEWING ZONE	horizontal/vertical: 176°/ 176°; right/left: 88°/ 88°; up/down: 88°/ 88°
DISPLAY COLOUR	16.7 million
PIXEL PITCH H X V	0.248 x 0.248 mm
NATIVE RESOLUTION	Full HD 1080p, 1920 x 1080 (2.1 megapixel)
HORIZONTAL SYNC	30 - 80 KHz
VERTICAL SYNC	55 - 75 Hz
SYNCHRONIZATION	Separate Sync
ASPECT RATIO	16 : 9
LIGHT TRANSMITTANCE	90%

2. INTERFACES & CONNECTORS

ANALOG INPUT CONNECTOR	VGA
DIGITAL INPUT CONNECTOR	DVI-D, DisplayPort
INPUTS	USB (for touch connectivity)

3. SPECIAL FEATURES

PLUG & PLAY	VESA DDC2B™
CONTROLS	On-Screen-Display in 10 languages (EN, FR, DE, NL, PL, RU, JP, CZ, IT, Chinese - traditional and simplified) and 5 front controls (Menu, Scroll up/ Audio Adjust, Scroll down/ i-Style Colour, Select/ Input select, Power)
USER CONTROLS	auto image adjust, picture adjust (contrast, brightness, ACR, ECO, OD), input select, auto adjust (volume, mute, audio input), colour adjust, information, manual image adjust (H./V. position, clock, phase, sharpness, video mode adjust, blue light reducer, X-Res Technology), setup menu (language select, OSD position, OSD time out, OSD background, opening logo, LED), memory recall
SPEAKERS	2 x 2 W (Stereo)
ANTI-THEFT-DEVICE	Kensington-lock™ prepared
SAFETY	CE, TÜV-Bauart, VCCI-B, CU
TILT ANGLE	15° up; 70° down
VESA MOUNTING	100 x 100 mm

4. ACCESSORIES

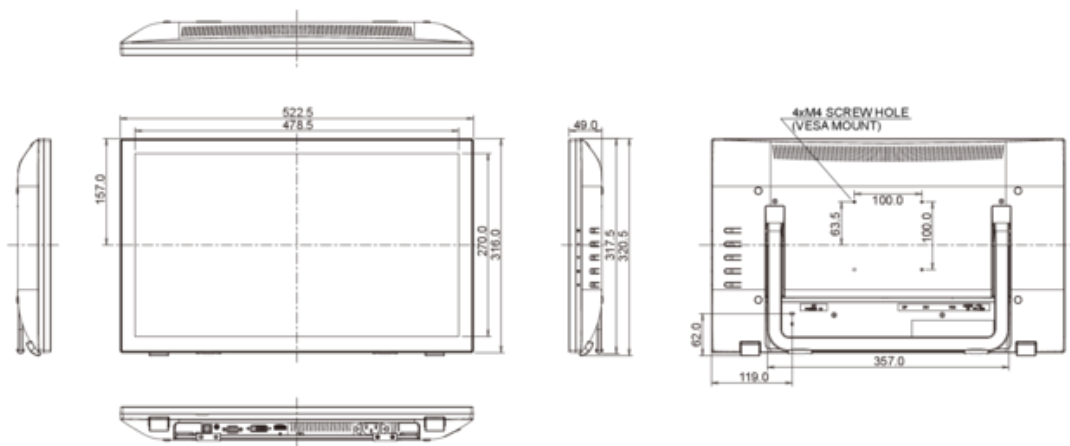
DRIVER	multi-touch: Windows7/8/10 (HID compliant), single-touch: Vista, Linux
INCLUDED ACCESSORIES	power cable, DVI-D signal cable, Audio cable, USB cable, quick start guide, safety guide

5. POWER MANAGEMENT

POWER SUPPLY	AC 100 - 240 V, 50 / 60 Hz
POWER SUPPLY UNIT	internal
POWER USAGE	21 W typical; max. 0.5 W in Power management mode
POWER MANAGEMENT	VESA DPMS

6. DIMENSIONS & WEIGHT

DIMENSIONS W X H X D	522.5 x 320.5 x 49 mm
WEIGHT	5 kg



All trademarks and registered trademarks acknowledged. E & O E. Specification subject to change without notice. All LCD's comply with ISO-9241-307:2008 in connection with pixel defects.