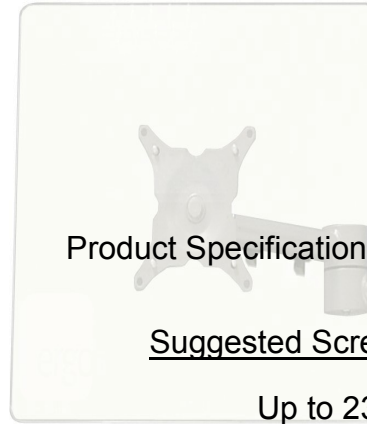
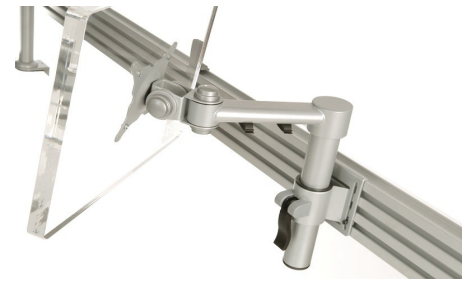




STREAM RANGE by CMS Ergo



Product Specifications:

Suggested Screen size :
Up to 23"

Weight capacity :
20Kg

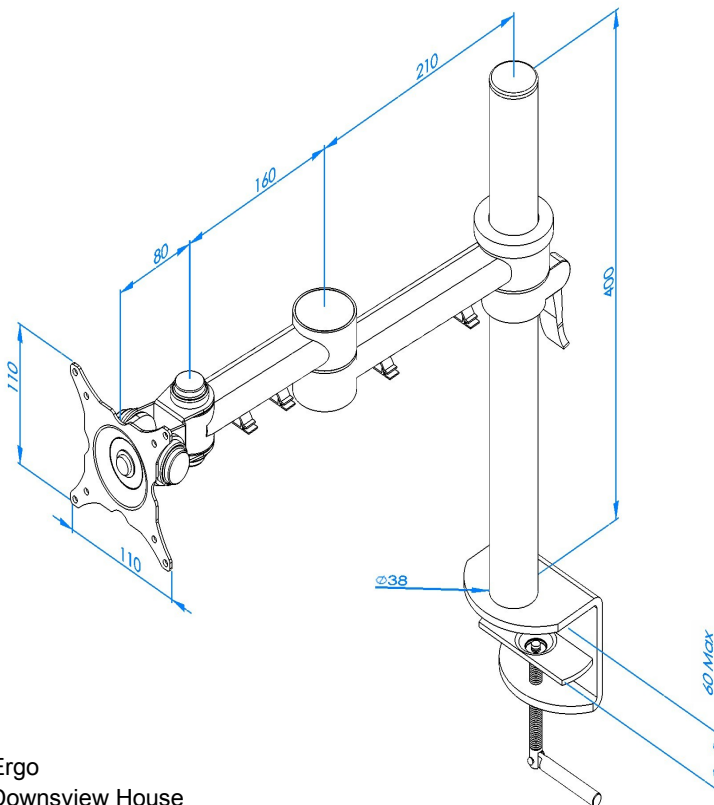
VESA compliance :
75mm x 75mm
& 100mm x 100mm



Product code & description :

STREAMCOMB01 - Single Stream desk arm

- Dual beam arm with manual height adjustment with standard C clamp.
- Height adjustment ranges up to 275mm
- Forward extension - 440mm
- Lockable quick release VESA function
- Full range of movement including height adjustment, tilt, rotation and reach
- Full cable management
- Comes ready assembled for quick and easy installation



Ergo
Downsview House
The Grove Technology Park
Wantage
OXON
OX12 9FA

T: 01235 773373
sales@cmsergonomics.com
www.cmsergonomics.com

