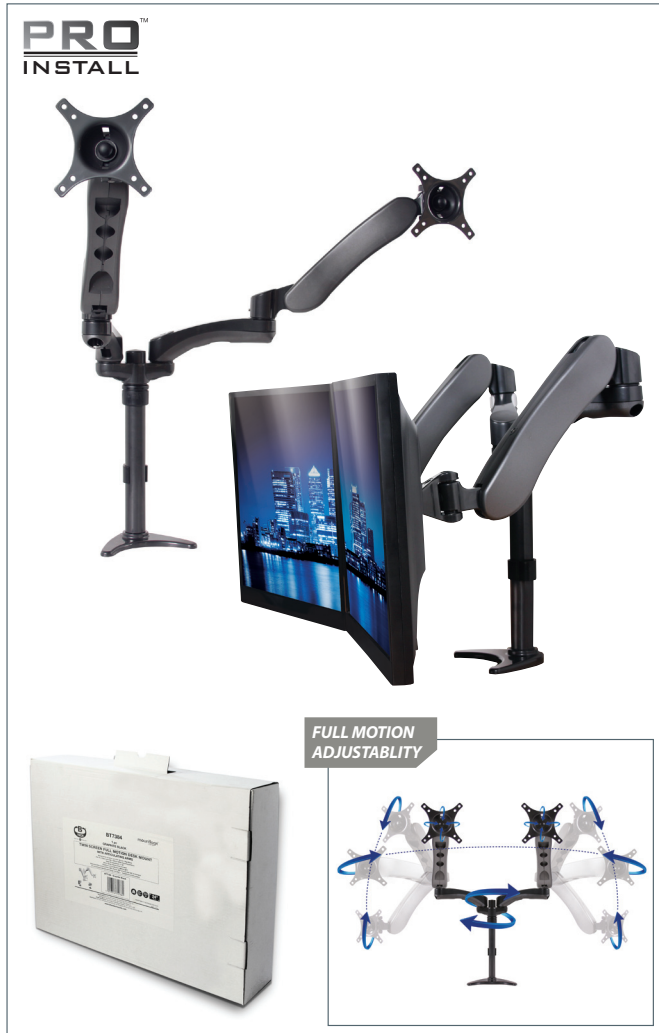


# Full Motion Twin Screen Flat Screen Desk Mount with Dual Articulated Arms

For more information please visit [www.btechavmounts.com/BT7384](http://www.btechavmounts.com/BT7384)

**BT7384**



## BT7384

Full Motion  
Twin Screen  
Flat Screen Desk Mount  
With Dual Articulated Arms

**Designed for screens up to 24"**  
**(61 cm) / 9kg (20lbs)**

- Fits screens with VESA mounting patterns: 75 x 75mm and 100 x 100mm
- Supplied with both a desk clamp and grommet
- Maximum extension: 560mm
- Easy tilt adjustment: +/-40°
- Features two swivel points: 360° at pole, 360° at pivot and 180° at interface
- Integrated cable management
- Easy height adjustment using tool-less locking ring
- Simple installation with all fixings included
- Available in a stylish Graphite Black or Silver
- *Minimum recommended screen weight: 1.5kg (3.3lbs)*



Supplied with a desk clamp to attach the mount to the rear or side of a desk up to 70mm thick



The fully adjustable head is ideal for easy positioning of the screen



Also included is a grommet to attach the mount through a desk of up to 95mm thick

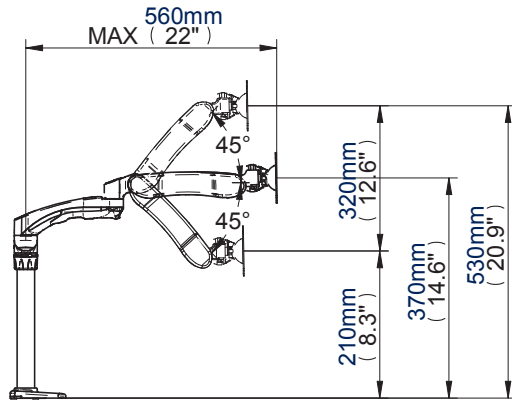


Cable management is integrated into the mount for a clean and tidy installation

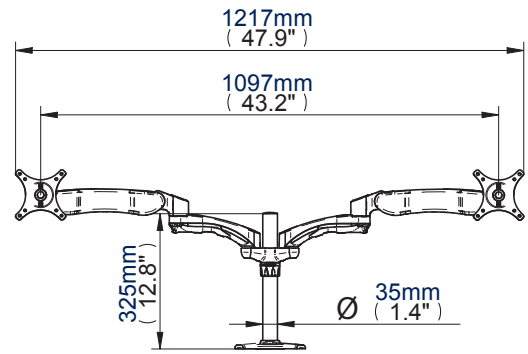
### Full Motion Twin Screen Flat Screen Desk Mount with Dual Articulated Arms

For more information please visit [www.btechavmounts.com/BT7384](http://www.btechavmounts.com/BT7384)

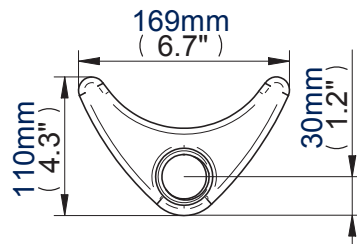
**BT7384**



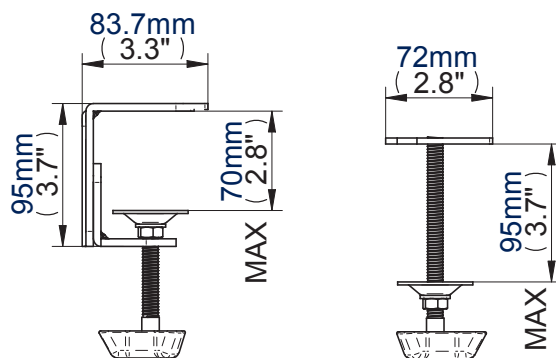
Side View



Front View

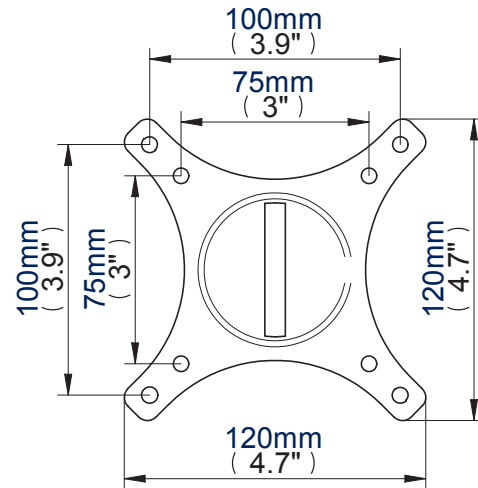


Base



Desk Clamp

Grommet



Interface Plate

Colour:	Order Ref:	EAN Code:	Master Carton Qty:	Inner Carton Qty:	Master Carton Weight:	Master Carton Cube:
Graphite Black	BT7384/GB	5019318752384	2	0	15.34kg (33.74lbs)	0.086cbm (3.02cuft)
Silver	BT7384/S	5019318758898	2	0	15.34kg (33.74lbs)	0.086cbm (3.02cuft)

**This information is intended as a guide only and reflects the current specification at the time of print.  
B-Tech accepts no liability for the accuracy of the information contained in this document.**