

Mini-DisplayPort Monitor Cable

Mini-DisplayPort Male to DisplayPort Male, White

High-definition performance for personal computing.

MANHATTAN® Mini-DisplayPort Cables provide a single-cable solution that delivers both high-definition digital audio and video signals between desktop and notebook computers and an output device. With 10.8 Gbps bandwidth (1080 Mbps), DeepColor and 24-bit, eight-channel uncompressed audio capability, the 20-pin connector is small, compact and ideal for use with mini-DisplayPort-equipped devices, flat-panel displays, slim-profile devices and many future consumer electronics. Full foil-and-braided shielding, molded boots with strain relief, protective PVC jackets and nickel-plated connections help MANHATTAN mini-DisplayPort Cables provide maximum conductivity and clear, crisp signal transmissions with reduced EMI interference and distortion.

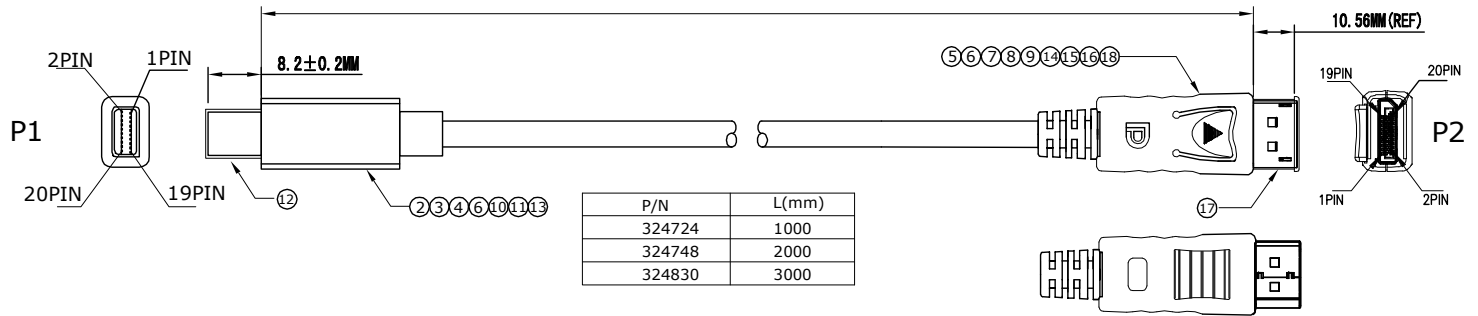
Model	Length
324724	1.0 m (3.3 ft.)
324748	2.0 m (6.6 ft.)
324830	3.0 m (10 ft.)

Lifetime Warranty

Strict manufacturing standards ensure the highest quality in all MANHATTAN products. All items carry a full Lifetime Warranty — the strongest quality commitment anyone can make.

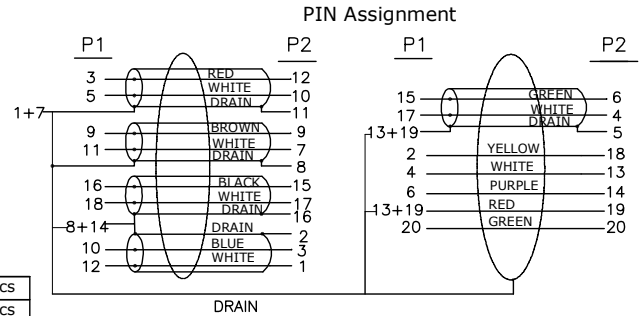
Model
324724
324748
324830





ELECTRICAL TEST:

- 1.100% OPEN & SHORT & MIS WIRE TEST
- 2.CONTACT RESISTANCE:2 OHM(MAX)
- 3.INSULATION RESISTANCE:10M OHM(MIN)
- 4.HI-POT TEST:DC 300V/10ms



18	A10-R075143	H.S.T:Ø1.5*22mm.	1	pcs
17	A6-000099	DisplayPort TRANSPARENT DUST COVER	1	pcs
16	A6-R104378	Display Port M ABS Up SHELL,COLOR:Apple (Snow White)	1	pcs
15	A6-R104377	Display Port M ABS Down SHELL,COLOR:Apple (Snow White)	1	pcs
14	A2-R021274	Display Port M INSULATION:BLACK,SHELL GOLD PLATED,PIN GOLD PLATED	1	pcs
13	A10-R065339	BLACK Ø0.6*3mm	6	pcs
12	A6-0000157	mini DisplayPort White dust	1	pcs
11	A6-R104240	mini DisplayPort(Type Solder) ABS Outside Down Apple (Snow White)	1	pcs
10	A6-R104239	mini DisplayPort(Type Solder) ABS Outside Top Apple (Snow White)	1	pcs
9	A10-R042395	W*L=20*55MM COPPER FOIL	2	pcs
8	A10-R075147	H.S.T:Ø1.0*10mm.	5	pcs
7	A10-R065324	BLACK Ø2.0*8mm.	5	pcs
6	A5-R047107	45P PVC COLOR: Apple (Snow White)	15	g
5	A5-R047011	Inside Molding:PE	3	g
4	A6-R021133	mini Display Port M BACK SHELL GOLD PLATED	1	pcs
3	A6-R021132	mini Display Port M FRONT SHELL GOLD PLATED	1	pcs
2	A2-R021292	mini DisplayPort Port M Insulation:Type Nip Board, PIN Gold plated, With PCB	1	pcs
1	A4-R001678	Display Port UL20276 (32AWG (7/0.08TC)*1PR+EAM)*6+32AWG (7/0.08TC)*5C+D (8C)+AB 85% OD:4.8MM Apple (Snow White)	1.83	m
NO	CELINK P/N	DESCRIPTION	Q'TY	UNIT

THESE DRAWINGS AND SPECIFICATIONS ARE THE PROPERTY OF MANHATTAN AND SHALL NOT BE REPRODUCED, COPIED OR USED IN ANY MANNER WITHOUT THE PRIOR WRITTEN CONSENT OF MANHATTAN.

REV.	TOLERANCE INCHES		M/M			DESCRIPTION	DATE
	.X	.015	.30			TITLE: MINI DP M TO DP M CABLE	
	.XX	.010	.10		DRAWN BY	CUSTOMER :	
	.XXX	.005	.05			CUSTOMER P/N :	
					CHECK BY	SCALE NONE	DRAWING NO.:
					APPD BY	UNIT MM	REV A
						DATE 09.09.15	1/1

Features

- Provides mini-DisplayPort 20-pin male to DisplayPort 20-pin male connections
- Delivers high-bandwidth, digital audio/visual signals from Mini-DisplayPort and DisplayPort enabled displays and devices – up to 1080p resolution
- Supports HDMI and DVI signal pass-through
- Fully shielded to reduce EMI and other interference sources
- Plug and Play for box-to-box applications
- Molded PVC boot and strain relief
- Lifetime Warranty

Specifications

STANDARDS AND CERTIFICATIONS

- UL 20276

CONNECTORS

- (1) mini-DisplayPort 20-pin male
- (1) DisplayPort 20-pin male
- Gold-plated contacts
- Molded PVC
- Built-in strain relief

CABLE

- 32 AWG conductors
- Withstanding voltage: 300 V DC
- Thermal plastic casing
- Shielded

GENERAL

- Meets or exceeds existing DisplayPort 1.1 standards
- Supports 10.8 Gbps data rate, 2560 x 1600 resolution (WQXGA) and HDCP

PACKAGE CONTENTS

- Mini-DisplayPort Monitor Cable

For more information on MANHATTAN products, consult your local dealer or visit www.manhattan-products.com.



Copyright © MANHATTAN

