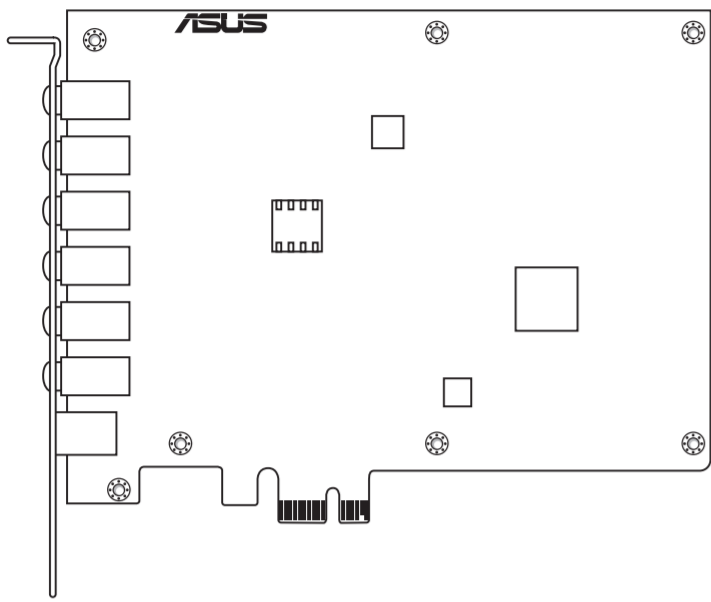


# Xonar AE

## PCIe 7.1 Gaming Sound Card



### Quick Start Guide



## Safety Information

- Read these instructions.
- Keep these instructions.
- Heed all warnings.
- Follow all instructions.
- Do not use this apparatus near water.
- Clean machine surface with a cloth (Do not apply any detergent or cleaning fluid).
- Do not block any ventilation openings. Install in accordance with the manufacturer's instructions.
- Do not install near any heat sources such as radiators, heat registers, stoves or other apparatus (including amplifiers) that produce heat.
- The polarized or grounding type plug is for user safety. A polarized plug has two blades with one wider than the other. A grounding -type plug has two blades and a third grounding prong. The wide blade or the third prong is provided for your safety. If the provided plug does not fit into your outlet, consult your electrician for installation of the appropriate type of power socket.
- Protect the power cord from being stepped on or compressed, particularly at the point where the cable is connected to the device.
- Only use attachments/accessories specified by the manufacturer.
- Use with only the cart, stand, tripod, bracket or table recommended by the manufacturer, or sold with the product. When a cart is used, use caution when moving the cart or trolley to avoid injury.
- Unplug the device during lightning storms or when left unused for long periods of time.
- Refer all repairs to qualified service personnel. Servicing is required when the product has been damaged in any way such as when the power cord or plug is damaged, liquid has been spilled or an object have fallen into the product, the product has been exposed to rain or moisture or does not operate normally or has been dropped.

### Additional Safety Information

For your own safety please read the following important instructions carefully before attempting to connect this unit to the main power supply. The instructions provided will help you get the best performance from this device and prolong the life of this product.

### Repairs

Do not attempt to repair or disassemble this product. Consult a qualified technician or professional for service or repairs.

## Package Contents

This package should contain the following:

- Xonar AE 7.1 PCIe sound card
- Driver CD x1
- S/PDIF TOSLINK optical adapter x1
- Quick Start Guide x1

## System Requirements

To ensure a successful installation of the ASUS Strix sound card series, your computer must meet the following requirements:

- One PCIe 1.0 (or higher) compatible slot for the audio card
- Microsoft® Windows® 10 / 8.1 / 7 SP1(32/64bit)
- Intel® Pentium® 4 1.4 GHz or AMD® Athlon 1400 CPU or faster CPU
- 1GB for 32bit / 2GB for 64bit OS (or above) DRAM system memory
- 300 MB available HDD space for driver installation package
- CD-ROM drive (or DVD-ROM drive) for software installation
- High-quality headphones or powered analog speakers to enjoy the ultra-high fidelity sound of the card

## Driver Installation

After installing the Xonar AE audio card into your computer, you need to install the device driver that enables the Xonar AE audio card to work with Windows operating system.

**IMPORTANT:** Ensure that you have installed the audio card driver before installing the Xonar AE driver. Otherwise, driver installation error may occur.

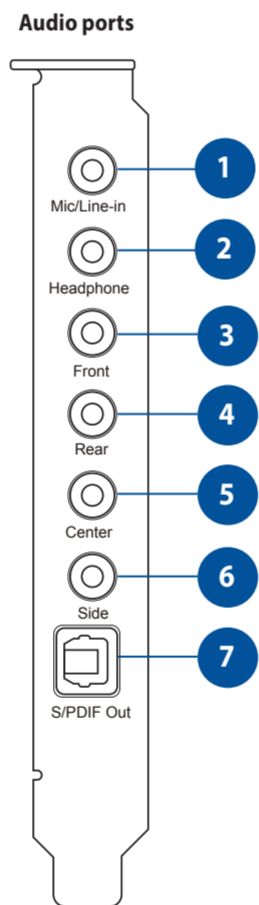
To install the device driver:

- After you have installed the Xonar AE card, turn on your computer. Windows automatically detects the audio card and searches for device drivers. When prompted for the drivers, click **Cancel**.
- Insert the support CD into the optical drive. If Autorun is enabled in your system, the setup starts automatically. If not, run **setup.exe** from your support CD.
- Follow the onscreen instructions to finish the installation.

**NOTE:** Driver version and the contents of the support CD are subject to change without notice.

## Hardware Features

### Side view



- Microphone In port**  
Connect your external PC microphone to this 3.5mm port for voice input.
- Line In port**  
Connect analog devices like MP3 players, CD players, music synthesizers, and other line-level sound sources to this 3.5mm port for audio recording or processing.
- Headphone Out port**  
Connect your headphone to this port.
- Front Out port**  
For 2 channel speaker systems, connects to the input on the powered speakers.
- Rear Out port**  
Connect to the rear surround input on 4 powered analog speakers.
- Center Out port**  
Connects to the center/subwoofer input on 4/5.1 powered analog speakers.
- Side Out port**  
Connects to the side surround input on 7.1 powered analog speakers.
- S/PDIF Out port**  
Optical digital output jack. Connects to external digital decoder or digital speaker systems, Home Theater systems, AV receivers for outputting digital audio including PCM, Dolby Digital, DTS, WMA-Pro, etc. Connect to the surround channel input on 4/5.1/7.1 powered analog speakers

## Hardware Features

### 繁體中文

- 麥克風輸入連接埠  
音源輸入連接埠
- 耳機輸出連接埠
- 前置輸出連接埠
- 後置輸出連接埠
- 中心輸出連接埠
- 側邊輸出連接埠
- S/PDIF 輸出連接埠

### Italiano

- Porta ingresso microfono  
Porta line in
- Porta uscita cuffie
- Uscita altoparlanti anteriori
- Uscita altoparlanti posteriori
- Uscita altoparlante centrale
- Uscita altoparlanti laterali
- Porta uscita S/PDIF

### آیبرعلا

- منفذ دخل الميكروفون
- منفذ دخل الخط
- منفذ خرج سماعة الرأس
- منفذ الخرج الخلفي
- منفذ الخرج الأوسط
- منفذ الخرج الجانبي
- منفذ خرج S/PDIF

### 简体中文

- 麦克风输入接口  
音源输入接口
- 耳机输出接口
- 前置输出接口
- 后置输出接口
- 中心输出接口
- 侧边输出接口
- S/PDIF 输出接口

### 日本語

- マイク入力ポート  
ライン入力ポート
- ヘッドホン出力ポート
- フロント出力ポート
- リア出力ポート
- センター出力ポート
- サイド出力ポート
- S/PDIF 出力ポート

### Български

- Вход за микрофон  
Line In порт
- Изход за слушалки
- Преден изход
- Заден изход
- Централен изход
- Страничен изход
- S/PDIF изход

### Nederlands

- Microfooningang  
Linje sisään -portti
- Hoofdtelefoonuitgang
- Uitgang vooraan
- Uitgang achteraan
- Uitgang midden
- Uitgang zijkant
- S/PDIF-uitgang

### Bahasa Indonesia

- Port Masuk Mikrofon  
Port Masuk Saluran
- Port keluar headphone
- Port keluar depan
- Port Belakang Keluar
- Port Output Tengah
- Port Output Samping
- S/PDIF Out header

### Slovenščina

- Vhodna vrata za mikrofon  
line-in
- Izhodna vrata za slušalke
- Sprednja izhodna vrata
- Zadnja izhodna vrata
- Osrednja izhodna vrata
- Stranska izhodna vrata
- Izhodna vrata S/PDIF

### Українська

- Порт входу мікрофону  
Порт входу лінії
- Порт виходу гарнітури
- Передній порт виходу
- Задній порт виходу
- Вихід центрального порту
- Вихід бічного порту
- Порт виходу S/PDIF

### Français

- Prise microphone  
Prise d'entrée audio
- Prise casque
- Prise de sortie haut-parleur avant
- Prise de sortie haut-parleur arrière
- Prise de sortie haut-parleur central
- Prise de sortie haut-parleur latéral
- Prise de sortie S/PDIF

### 한국어

- 마이크 입력 포트  
Line 입력 포트
- 헤드폰 출력 포트
- 전방 출력 포트
- 후면 출력 포트
- 중앙 출력 포트
- 측면 출력 포트
- S/PDIF 출력 / 측면 출력 포트

### Hrvatski

- Ulazni priključak za mikrofon  
Linjski ulazni
- Izlazni priključak slušalice
- Priključak prednjeg izlaza
- Straznji izlazni priključak
- Priključak izlaza za srednji zvučnik
- Priključak bočnog izlaza
- S/PDIF izlazni/bočni priključak

### Suomi

- Mikrofonin tuloportti  
Linja sisään -portti
- Kuulokemikrofonin lähtöportti
- Etu -lähtöportti
- Tasavirtalähtöportti
- Keskilähtöportti
- Sivulähtöportti
- S/PDIF-lähtöportti

### Español

- Puerto Entrada de micrófono  
Puerto Entrada de línea
- Puerto para Auriculares
- Puerto para Salida Frontal
- Puerto Salida posterior
- Puerto de salida central
- Puerto de salida lateral
- Puerto Salida S/PDIF

### Norsk

- Mikrofon Inn port  
Linje Inn-port
- Hodetelefon Ut-port
- Front Ut-port
- Bakre Ut-port
- Midt-utgangsport
- Side-utgangsport
- S/PDIF Ut-port

### Română

- Port intrare microfon  
Port intrare linie
- Port ieşire căşti
- Port ieşire faţă
- Port ieşire spate
- Port ieşire centru
- Port ieşire lateral
- Port ieşire S/PDIF

### Deutsch

- Mikrofoneingang  
Line In-Port
- Kopfhörerausgang
- Frontausgang
- Rück-Surround-Ausgang
- Mittlerer Ausgang
- Seitlicher Ausgang
- S/PDIF-/Seiten-Ausgang

### Русский

- Разъем для микрофона  
Аудиовход
- Разъем для наушников
- Выход фронтального канала
- Выход тылового канала
- Выход центрального канала
- Выход бокового канала
- S/PDIF-выход

### Čeština

- Vstupní port mikrofonu  
linkový vstup
- Výstupní port pro připojení sluchátek
- Přední výstupní port
- Zadní výstupní port
- Port středového výstupu
- Port postranního výstupu
- Výstupní port S/PDIF

### Ελληνικά

- Θύρα εισόδου μικροφώνου  
Θύρα εισόδου
- Θύρα εξόδου ακουστικών
- Μπροστινή θύρα εξόδου
- Πίσω θύρα εξόδου
- Θύρα κεντρικής εξόδου
- Θύρα πλευρικής εξόδου
- Θύρα εξόδου S/PDIF

### Svenska

- Mikrofongång  
Inledningsport
- Hörlursutgång
- Frontutgång
- Bakre utgång
- Central utgångsport
- Sida utgångsport
- S/PDIF-utgång

### Polski

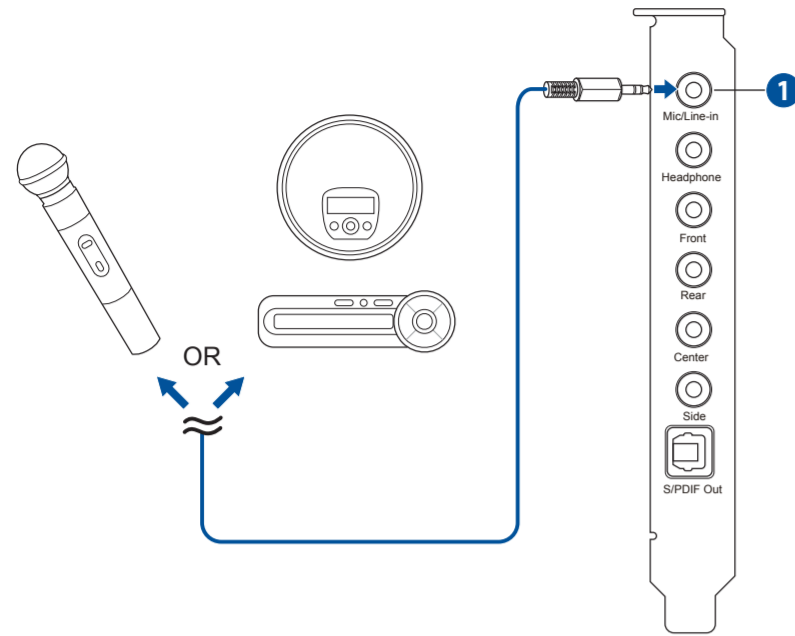
- Wejściowy port mikrofonu  
wejściowy port liniowy
- Wyjściowy port słuchawkowy
- Port wyjściowy głośnika przedniego
- Port wyjściowy głośnika tylnego
- Centralne gniazdo wyjścia
- Boczne gniazdo wyjścia
- Port wyjściowy S/PDIF

### Srpski

- Ulazni port za mikrofon  
Ulazni port za liniju
- Izlazni port za slušalice
- Prednji izlazni port
- Izlazni port pozadi
- Centralni izlazni port
- Izlazni port sa strane
- S/PDIF izlazni port

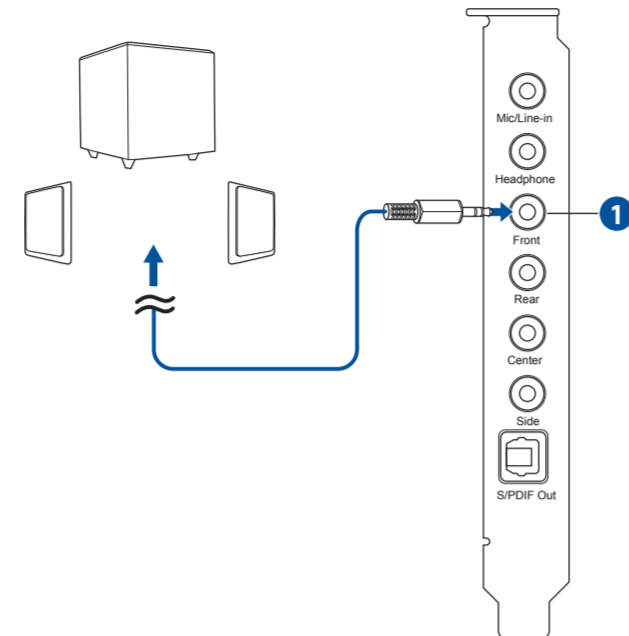
# Connectivity Options

## Connecting Microphone/ Line In



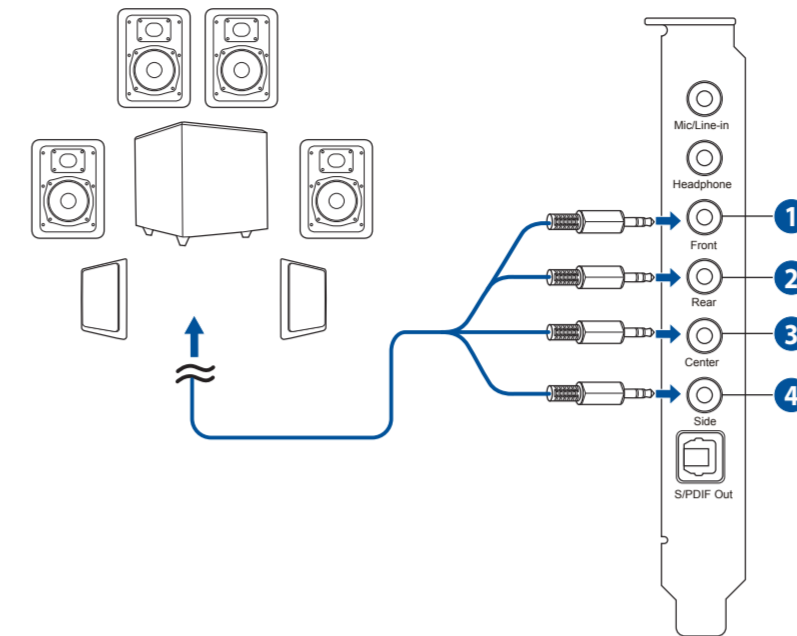
No	Item	Description
1	Line Input Jack	Connect the 3.5mm plug of the CD/MP3 Player or any other Line level analog audio sources into this Line-In jack for sound recording.

## Connecting 2 channel speakers



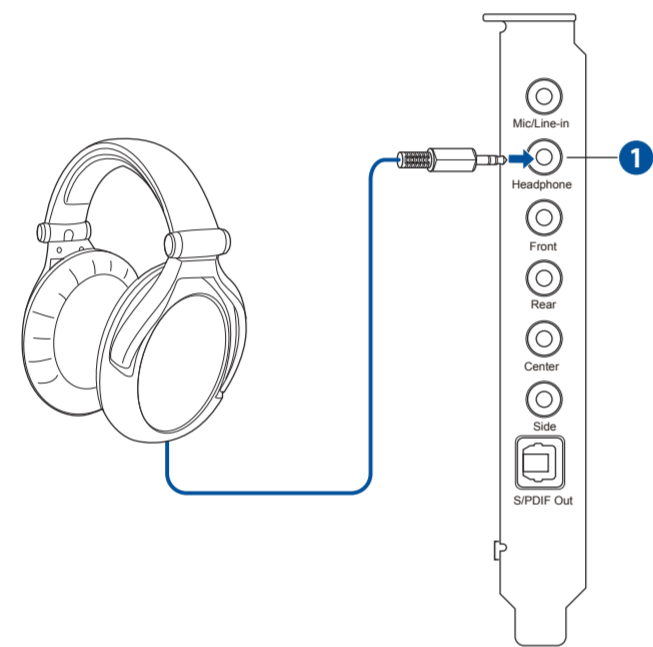
No	Item	Description
1	Front Out Port	Connect the 2 speaker set's 3.5mm plug into this Front Out jack.

## Connecting 7.1 Channel Speakers



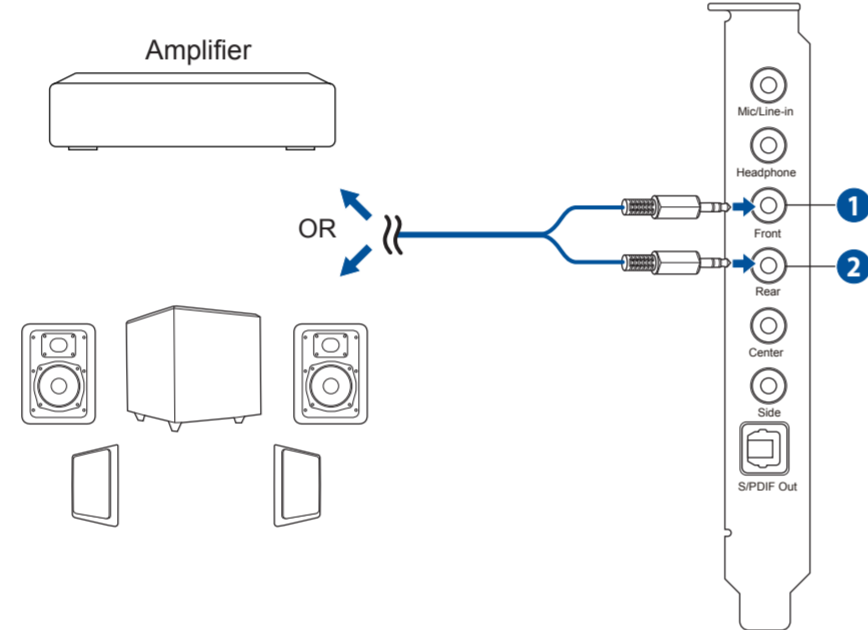
No	Item	Description
1	Front Out port	Connect the front-channel 3.5mm plug of your 7.1 channel speakers into this jack.
2	Rear Out port	Connect the rear-channel 3.5mm plug of your 7.1 channel speakers into this jack.
3	Center Out port	Connect the center-channel 3.5mm plug of your 7.1 channel speakers into this jack.
4	Side Out port	Connect the side-channel 3.5mm plug of your 7.1 channel speakers into this jack.

## Connecting Stereo Headphones



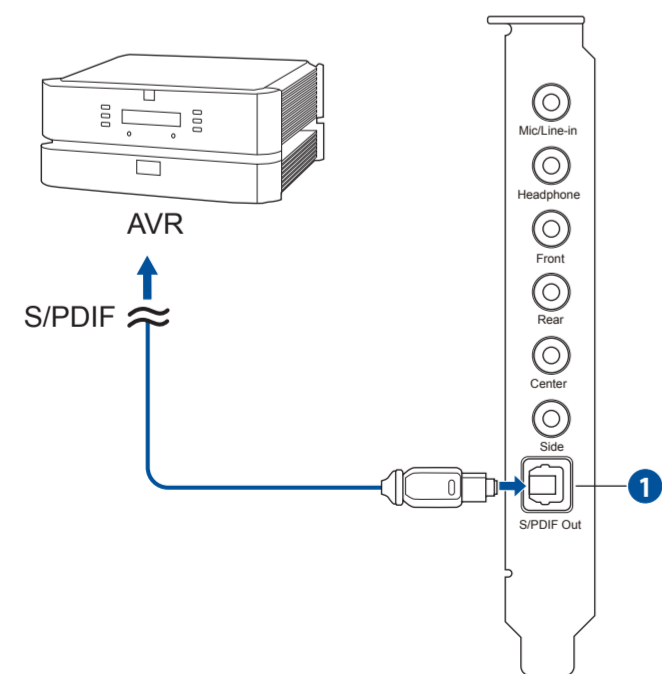
No	Item	Description
1	Headphone Jack	Built-in high-quality amplifier to drive headphones. Connect your stereo headphones directly to this jack.

## Connecting 4 Channel Speakers / Power Amplifier



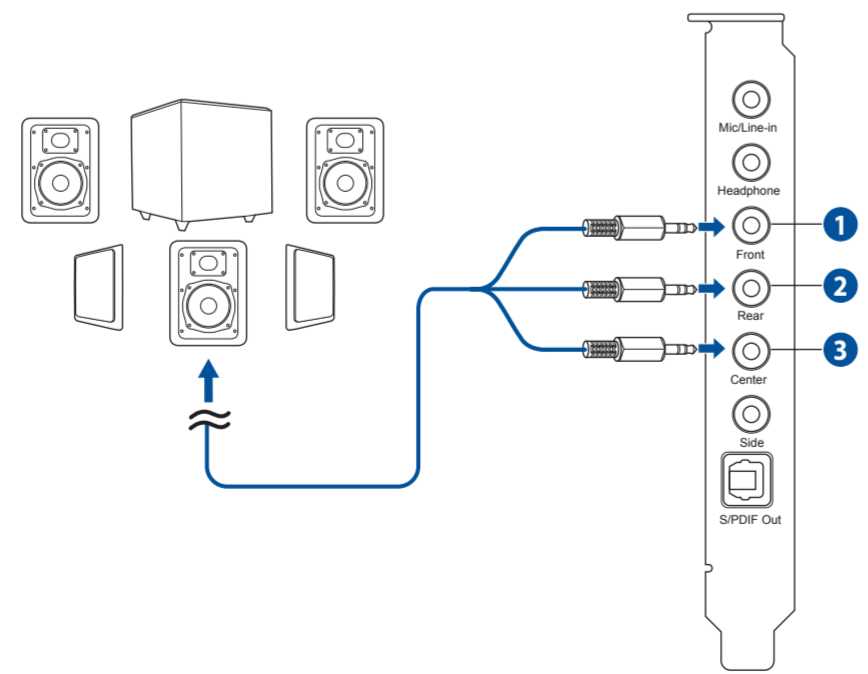
No	Item	Description
1	Front Out Port	Connect the front-channel 3.5mm plug of your 4-channel speakers into this jack.
2	Rear Out Port	Connect the surround-channel 3.5mm plug of your 4-channel speakers into this jack.

## Connecting to TOSLINK and COAXIAL SPDIF input connection



No	Item	Description
1	Optical cable	Plug your decoder's TOSLINK optical cable into the S/PDIF-Out connector.

## Connecting 5.1 Channel Speakers/ 5.1 Channel Headphone

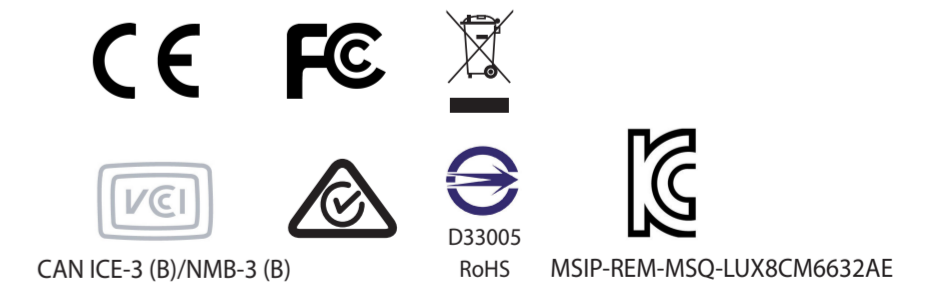


No	Item	Description
1	Front Out port	Connect the front-channel 3.5mm plug of your 5.1 channel speakers into this jack.
2	Rear Out port	Connect the rear-channel 3.5mm plug of your 5.1 channel speakers into this jack.
3	Center Out port	Connect the center-channel 3.5mm plug of your 5.1 channel speakers into this jack.

「產品之限用物質含有情況」之相關資訊，請參考下表：

單元	限用物質及其化學符號					
	鉛 (Pb)	汞 (Hg)	鎘 (Cd)	六價鉻 (Cr <sup>6+</sup> )	多溴聯苯 (PBB)	多溴二苯醚 (PBDE)
印刷電路板及電子組件	-	○	○	○	○	○
防護屏蔽罩	○	○	○	○	○	○
連接線	-	○	○	○	○	○
其他及其配件	-	○	○	○	○	○

備考1. "○" 係指該項限用物質之百分比含量未超出百分比含量基準值。  
備考2. "-" 係指該項限用物質為排除項目。



AEEE Yönetmeliğine Uygundur

### ASUS WARRANTY UPDATE

From 1 January 2012 updated warranties apply to all ASUS products, consistent with the Australian Consumer Law. For the latest product warranty details please visit: <http://support.asus.com>

Our goods come with guarantees that cannot be excluded under the Australian Consumer Law. You are entitled to a replacement or refund for a major failure and compensation for any other reasonably foreseeable loss or damage. You are also entitled to have the goods repaired or replaced if the goods fail to be of acceptable quality and the failure does not amount to a major failure.

If you require assistance please call ASUS Customer Service 1300 2787 88 | <http://support.asus.com>