

Cubicle Monitor Hanger with Height Adjustment

ARMCBCL



*actual product may vary from images

Hard-to-find made easy. At StarTech.com, that isn't a slogan. It's a promise.

StarTech.com is your one-stop source for every connectivity part you need. From the latest technology to legacy products — and all the parts that bridge the old and new — we can help you find the parts that connect your solutions.

We make it easy to locate the parts, and we quickly deliver them wherever they need to go. Just talk to one of our tech advisors or visit our website. You'll be connected to the products you need in no time.

Visit www.startech.com for complete information on all StarTech.com products and to access exclusive resources and time-saving tools.

StarTech.com is an ISO 9001 Registered manufacturer of connectivity and technology parts. StarTech.com was founded in 1985 and has operations in the United States, Canada, the United Kingdom and Taiwan servicing a worldwide market.

FR: Guide de l'utilisateur - fr.startech.com
DE: Bedienungsanleitung - de.startech.com
ES: Guía del usuario - es.startech.com
NL: Gebruiksaanwijzing - nl.startech.com
PT: Guia do usuário - pt.startech.com
IT: Guida per l'uso - it.startech.com
UK: User guide - uk.startech.com

For the latest information, technical specifications, and support for this product, please visit www.StarTech.com/ARMCBCL.

Manual Revision: 07/13/2016

Warning statements

- Make sure to assemble this product according to the instructions. Failure to do so might result in personal injury or property damage.
- Make sure that the weight of the monitor doesn't exceed the weight capacity of this product. If you exceed the weight capacity, you might experience personal injury or damage to the equipment. This product can support the following weight: Up to 20 lb. (9 kg).
- Never operate this product if parts are missing or damaged.
- This product should be attached to a cubicle wall that is sturdy and isn't damaged in any way. If you attach this product to a damaged wall, the product might not work as expected and you might experience equipment or property damage.
- Make sure that you support the weight of the monitor before you begin to adjust the height of the monitor. Failure to do so might result in personal injury or damage to the equipment.
- Avoid repeatedly tilting or adjusting the monitor, as doing so might loosen the L-bracket. If the L-bracket does become loose, use a screwdriver to tighten it.
- Avoid overtightening or stripping the bracket screws.
- Allowing any part of your component to get caught between moveable parts might result in personal injury or damage to your equipment.
- If hanging the monitor mount on a high cubicle wall, don't position the monitor mount lower than the seventh hole from the bottom of the monitor mount.

Technical support

StarTech.com's lifetime technical support is an integral part of our commitment to provide industry-leading solutions. If you ever need help with your product, visit www.startech.com/support and access our comprehensive selection of online tools, documentation, and downloads.

For the latest drivers/software, please visit www.startech.com/downloads

Warranty information

This product is backed by a two-year warranty.

StarTech.com warrants its products against defects in materials and workmanship for the periods noted, following the initial date of purchase. During this period, the products may be returned for repair, or replacement with equivalent products at our discretion. The warranty covers parts and labor costs only. StarTech.com does not warrant its products from defects or damages arising from misuse, abuse, alteration, or normal wear and tear.

Limitation of liability

In no event shall the liability of StarTech.com Ltd. and StarTech.com USA LLP (or their officers, directors, employees or agents) for any damages (whether direct or indirect, special, punitive, incidental, consequential, or otherwise), loss of profits, loss of business, or any pecuniary loss, arising out of or related to the use of the product exceed the actual price paid for the product. Some states do not allow the exclusion or limitation of incidental or consequential damages. If such laws apply, the limitations or exclusions contained in this statement may not apply to you.

Use of Trademarks, Registered Trademarks, and other Protected Names and Symbols

This manual may make reference to trademarks, registered trademarks, and other protected names and/or symbols of third-party companies not related in any way to StarTech.com. Where they occur these references are for illustrative purposes only and do not represent an endorsement of a product or service by StarTech.com, or an endorsement of the product(s) to which this manual applies by the third-party company in question. Regardless of any direct acknowledgement elsewhere in the body of this document, StarTech.com hereby acknowledges that all trademarks, registered trademarks, service marks, and other protected names and/or symbols contained in this manual and related documents are the property of their respective holders.

Hang the monitor mount on a high cubicle wall

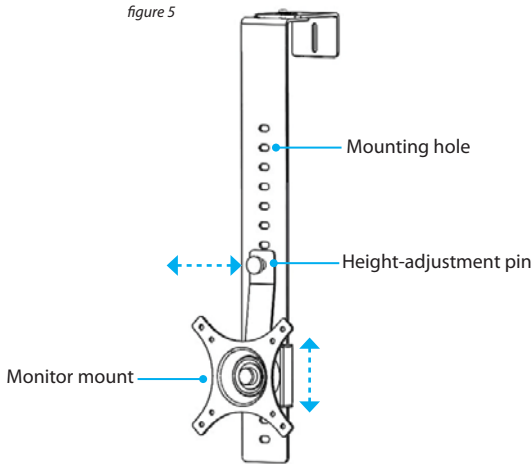
If you need to hang the monitor mount on a high cubicle wall, you can adjust the monitor mount to accommodate the additional height.

If a monitor is attached to the monitor mount, remove the monitor before you adjust the hanging cubicle monitor mount.

Warning! Don't position the monitor mount lower than the seventh hole from the bottom of the monitor mount.

1. Pull out the cable organizer pin, and slide the cable organizer off of the hanging cubicle monitor mount.
2. Pull out the height-adjustment pin and slide the monitor mount off of the monitor mount.
3. Turn the monitor mount around so that the height-adjustment pin is pointed upwards, and slide the monitor mount back onto the hanging cubicle monitor mount.
4. When the monitor mount is at the height that you want, release the height-adjustment pin and make sure that the pin locks into one of the mounting holes. (figure 5)

figure 5



Warning statements

Make sure to assemble this product according to the instructions. Failure to do so might result in personal injury or property damage.

Make sure that the weight of the monitor doesn't exceed the weight capacity of this product. If you exceed the weight capacity, you might experience personal injury or damage to the equipment. This product can support the following weights: Up to 9 kg (19 lb).

Never operate this product if parts are missing or damaged.

This product should be attached to a cubicle wall that is sturdy and isn't damaged in any way. If you attach this product to a damaged wall, the product may not work as expected and you may experience equipment or property damage.

Make sure that you support the weight of the monitor before you begin to adjust the height of the monitor. Failure to do so could result in personal injury or damage to the equipment.

Avoid repeatedly tilting or adjusting the monitor, as doing so might loosen the L-bracket. If the L-bracket does become loose, use a screwdriver to tighten it.

Avoid overtightening or stripping the bracket screws.

Allowing any part of your component cables to get caught between moveable parts might result in personal injury or damage to your equipment.

If hanging the monitor mount on a high cubicle wall, don't position the monitor mount lower than the seventh hole from the bottom of the monitor mount.

注意

必ず取扱説明書に従って本製品の組み立てを行って下さい。取り扱った場合に、傷害を負う恐れや物的損害が発生する恐れがあります。

取り付けるモニターの重量が、本製品で定められた最大積載重量を超えないようにして下さい。最大積載重量をオーバーした場合、傷害を負う恐れやモニターに損害が発生する恐れがあります。本製品は、最大9kgまでのモニター重量に対応しています。

本製品が使用している部分の一部が缺失していたり損傷している状態では使用するのは絶対に止めて下さい。

本製品を取り付けた場合、製品が期待どおりに機能せず、モニターや物品の損害が発生する恐れがあります。

モニターの重量を支えた状態で、モニターの高さ調整を始めると、取り扱った場合に、傷害を負う恐れやモニターへの損害が発生する恐れがあります。

繰り返しモニターの角度や高さ調整を行うのは避けて下さい。そうした場合、L型ブラケットが緩む恐れがありますので、再度ドライバーで締め直して下さい。

ブラケットのネジを強く締めすぎたり、ネジの頭をつぶさないように注意して下さい。

ケーブルの一部が本製品と可動部に引っ掛かってしまった場合、傷害を負う恐れやモニターや本製品に損害が発生する恐れがあります。

モニターマウントを縦仕切りデスクの壁の高い位置に取り付ける場合は、モニターマウントの底部が教える7番目のよりも低い位置にモニターマウントを取り付けないようにして下さい。

Varningsmeddelanden

Se till att du monterar produkten i enlighet med instruktionerna. Om du inte gör det kan skada på person eller egendom uppstå.

Se till att skärmens vikt inte överstiger produktens viktkapacitet. Om viktkapaciteten överstigs kan skada på person eller utrustning uppstå. Denna produkt har stöd för följande vikter: Upp till 9 kg.

Använd aldrig produkten om delar saknas eller är skadade.

Denna produkt ska fästas på en bärvägg som är stabil och inte skadad. Om du fäster produkten på en skadad vägg kan det skada på utrustning och skada på person eller egendom uppstå.

Se till att skärmens vikt stöds innan du börjar höjja höjden på skärmen. Om du inte gör det kan skada på person eller utrustning uppstå.

Undvik att luta eller justera skärmen upprepad gång eftersom det kan göra att L-fästet lossnar. Om L-fästet lossnar, använd en skruvmejsel för att skruva fast det igen.

Undvik att skruva dit fästets skruvar för hårt eller att slita bort gängorna.

Om någon del av dina komponentkabler fastnar mellan rörliga delar kan skada på person eller utrustning uppstå.

Om du hänger skärmmonteringen på en hög bärvägg, placera inte skärmmonteringen lägre än det sjunde hålet från skärmmonterings botten.

Waarschuwingen

Zorg dat dit product volgens de instructies in elkaar wordt gezet. Indien dit niet goed gebeurt kan lichamelijke letsel of materiële schade ontstaan.

Zorg dat het gewicht van het scherm de maximale capaciteit van dit product niet overschrijdt. Als u de gewichtscapaciteit overschrijdt, kan persoonlijk letsel of schade aan de apparatuur ontstaan. Dit product ondersteunt het volgende gewicht: Tot 9 kg.

Gebruik dit product nooit als er onderdelen ontbreken of beschadigd zijn.

Dit product moet worden bevestigd aan een stevige en onbeschadigde cubicle-wand. Als u dit product aan een beschadigde wand bevestigt, kan het product niet zoals verwacht werken en kunnen apparatuur of eigendom beschadigd worden.

Zorg dat u het gewicht van het scherm ondersteunt voordat u begint met afstellen van de schermhoogte. Anders zou lichamelijke letsel of schade aan de apparatuur kunnen ontstaan.

Voorzien herhaaklijk optillen of afstellen van het scherm, anders zou de L-beugel los kunnen raken. Als de L-beugel losraakt, moet u deze met een schroevendraaier vastdraaien.

Voorzien het te sterk vastdraaien of strijken van de beugel Schroeven.

Als uw componentkabels tussen bewegende delen vast komen te zitten, kan dit lichamelijke letsel of schade aan de apparatuur veroorzaken.

Als u de monitor arm aan een hoge cubicle-wand hangt, plaats de monitor arm dan niet lager dan het zevende gat vanaf de onderkant van de monitor arm.

Warnhinweise

Montieren Sie dieses Produkt gemäß den Anweisungen. Andernfalls kann dies zu Verletzungen von Personen oder Schäden an Eigentum führen.

Das Gewicht des Monitors darf die zulässige Traglast des Produkts nicht überschreiten. Wenn die Traglast überschritten wird, kann dies zu Verletzungen von Personen oder Schäden an Geräten führen. Dieses Produkt ist für folgendes Gewicht geeignet: Bis zu 9 kg.

Das Produkt darf nicht bedient werden, wenn Teile fehlen oder beschädigt sind.

Dieses Produkt muss an einer Arbeitskabinenwand befestigt werden, die stabil und in keiner Weise beschädigt ist. Wenn dieses Produkt an einer beschädigten Wand befestigt wird, funktioniert das Produkt möglicherweise nicht wie erwartet, und es können Schäden an Geräten oder anderem Eigentum entstehen.

Stützen Sie das Gewicht des Monitors ab, bevor Sie die Höhe des Monitors einstellen. Andernfalls kann es zu Verletzungen oder Schürschäden kommen.

Vermeiden Sie wiederholtes Neigen oder Einstellen des Monitors, da sich hierdurch die L-Halterung lösen kann. Wenn sich die L-Halterung löst, schrauben Sie sie mit einem Schraubendreher wieder fest.

Vermeiden Sie zu starkes Festziehen oder Abziehen der Halterungsschrauben.

Wenn sich Komponentenkabel in beweglichen Teilen verfangen, kann dies zu Verletzungen von Personen oder Schäden an Geräten führen.

Wenn der Monitorhalter an einer hohen Kabinenwand aufgehängt wird, darf der Monitor nicht niedriger als in der siebten Bohrung von der Unterkante des Monitorhalters platziert werden.

Advertencias de uso

Asegúrese de ensamblar este producto según las instrucciones. De lo contrario, pueden producirse lesiones personales o daños de propiedad.

Asegúrese de que el peso del monitor no exceda la capacidad de carga de este producto. Si se excede dicha capacidad se podrían producirse lesiones personales o daños al equipo. Este producto tiene la siguiente capacidad de carga: hasta 9kg.

Este producto debe fijarse a la pared de un cubículo que sea resistente y que no esté deteriorada en modo alguno. Si instala este producto en una pared deteriorada, puede que el producto no funcione de la forma esperada y que se produzcan daños al equipo o la propiedad.

Antes de ajustar la altura del monitor, asegúrese de que el monitor está debidamente soportado por la plataforma. De lo contrario, pueden producirse lesiones personales o daños al equipo.

Evite inclinar o ajustar el monitor repetidamente, ya que esto podría aflojar los tornillos de fijación del soporte en L. Si el soporte en L se suelta o sus tornillos se aflojan, utilice un destornillador para apretarlo o volver a fijarlo de forma correcta.

Evite abomillar demasiado fuerte, pues al hacerlo produce daños en la rosca de los tornillos.

Nunca opere o ponga en funcionamiento este producto si faltan elementos o hay daños en los mismos.

En caso de que los cables de su componente queden atascados en piezas en movimiento se pueden producir lesiones personales o daños al equipo.

Si va a colgar el soporte de monitor en un cubículo con paredes altas, no lo sitúe en una posición inferior al séptimo agujero a partir de la parte inferior del soporte.

Mensagens de aviso

Certifique-se de que monta este produto de acordo com as instruções. O incumprimento pode resultar em ferimentos pessoais ou danos de propriedade.

Nunca opere o ponga en funcionamiento este producto si faltan elementos o hay daños en los mismos.

Este produto deve ser fixado à parede de um cubículo que seja resistente e não esteja danificada de forma alguma. Se fixar este produto a uma parede danificada, o produto pode não funcionar como esperado e pode sofrer danos ao equipamento ou de propriedade.

Certifique-se de que apoia o peso do monitor antes de começar a ajustar a altura do monitor. O incumprimento resultará em ferimentos pessoais ou danos ao equipamento.

Evite inclinar ou ajustar repetidamente o monitor, uma vez que isto pode soltar o suporte em L. Se o suporte em L ficar solto, use uma chave de fendas para apertá-lo.

Evite apertar demasiado ou desmontar os parafusos do suporte.

As permitir que qualquer parte dos cabos do seu componente fique preso entre partes móveis, pode resultar em ferimentos pessoais ou danos ao seu equipamento.

Se pendurar a montagem do monitor na parede de um cubículo elevada, não posicione a montagem do monitor abaixo do sétimo orifício a contar do fundo da montagem do monitor.

Dichiarazioni di avvertenza

Assemble il prodotto rispettando le istruzioni. Il mancato rispetto delle istruzioni potrebbe causare danni a persone o proprietà.

Verificare che il peso del monitor non superi le capacità di supporto del prodotto. In caso di superamento della capacità di supporto potrebbero verificarsi danni a persone o apparecchiature. Il prodotto in grado di sostenere i seguenti pesi: Fino a 9 kg.

In nessun caso utilizzare il prodotto in presenza di parti mancanti o danneggiate.

Installare il prodotto su una parete per box resistente e non danneggiata. Installando il prodotto su una parete danneggiata, il supporto potrebbe non funzionare in maniera ottimale e causare danni a persone o apparecchiature.

Sostenere il peso del monitor prima di regolargli l'altezza. Il mancato rispetto di queste istruzioni potrebbe causare danni a persone e proprietà.

Evitare la regolazione o l'inclinazione ripetuta del monitor poiché potrebbe allentare la staffa a L. In caso di allentamento della staffa a L, smontarla con un cacciavite.

Non stringere eccessivamente o danneggiare le viti della staffa.

Leventuale intrappolamento dei cavi del componente fra elementi in movimento potrebbe causare danni a persone o apparecchiature.
Installando il monitor su un muro per box di notevole altezza, non posizionarlo al di sotto del settimo foro partendo dalla parte inferiore del supporto del monitor.

Avertissements

Assemblez ce produit conformément aux instructions. Si vous ne respectez pas ces instructions, vous risquez de vous blesser ou d'endommager l'équipement.

Vérifiez que le poids du moniteur ne dépasse pas la capacité pondérale du produit. Si vous dépassez la capacité pondérale, vous risquez des blessures corporelles ou des dommages matériels. Ce produit peut supporter jusqu'à 9 kg.

N'utilisez pas ce produit si des pièces sont endommagées ou manquantes.

Ce produit est conçu pour être fixé en appui sur le dessus d'une cloison solide et ne présentant aucun dommage. Si vous fixez ce produit sur une cloison en mauvais état, il pourrait ne pas fonctionner correctement et être endommagé.

Vérifiez que le poids du moniteur est bien supporté avant de commencer à régler la taille du moniteur. Si vous ne respectez pas ces instructions, vous risquez de vous blesser ou d'endommager l'équipement.

Évitez de faire basculer ou de régler le moniteur trop fréquemment, car vous risquez de détendre le support en L. Si le support en L se détend, utilisez un tournevis pour le resserrer.

Évitez de trop serrer ou de dénouer les vis du support.

Si les câbles des composants se coincent entre des parties mobiles, vous risquez des blessures corporelles ou des dommages matériels.

Si vous installez le support de fixation d'écran sur une cloison haute, ne positionnez pas l'écran plus bas que le septième trou en partant du bas du support de fixation.

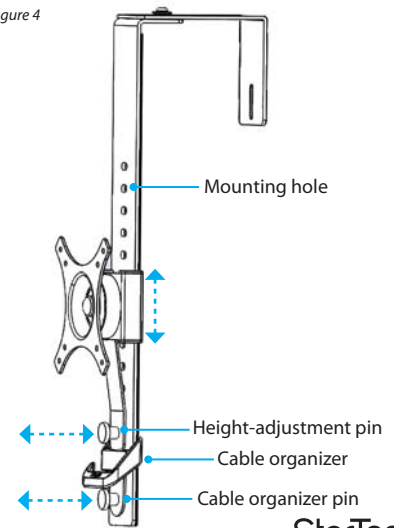
Hang the monitor mount

Warning! Make sure that you support the weight of the monitor before you begin to adjust the height of the monitor. Failure to do so might result in personal injury or damage to the equipment.

Warning! Avoid repeatedly tilting or adjusting the monitor, as doing so might loosen the L-bracket. If the L-bracket does become loose, use a screwdriver to tighten it.

1. With the monitor attached, carefully slide the **hanging cubicle monitor mount (1)**, over the edge of your cubicle wall.
2. Use a Phillips screwdriver to tighten the bracket screw or, if necessary, readjust the L-bracket.
3. To move the monitor to the height that works best for your setup, pull out the height-adjustment pin and slide the monitor mount up or down.
4. When the monitor is at the height that you want, release the height-adjustment pin and make sure that the pin locks into one of the mounting holes.
5. To adjust the position of the cable organizer, pull out the cable-organizer pin and move the cable organizer up or down.
6. When the cable organizer is at the height that you want, release the cable-organizer pin and make sure that the pin locks into one of the mounting holes. (*figure 4*)

figure 4



2. Do one of the following:

- If the VESA mount sits flush against the installation surface on the monitor, insert the four **M4x12 screws (5)** through the VESA mount on the monitor mount and into the mounting holes on the back of the monitor. Use a Phillips screwdriver to tighten the screws.
- If the VESA mount doesn't sit flush against the installation surface on the monitor, you need to use the provided spacers. Insert the four **M4x25 screws (6)** through the VESA mount on the monitor mount, into the four **spacers (7)**, and into the mounting holes on the back of the monitor. Use a Phillips screwdriver to tighten the screws.

Route the cables

Warning! Allowing any part of this product to get caught between moveable parts might result in personal injury or damage to your equipment.

1. After you attach your monitor to the **hanging cubicle monitor mount (1)**, attach the cables to the monitor.
2. Run the cables down the length of the monitor mount and through the cable organizer. (*figure 3*)

Note: You can adjust the height of both the monitor mount and the cable organizer after you attach the monitor mount to the cubicle.

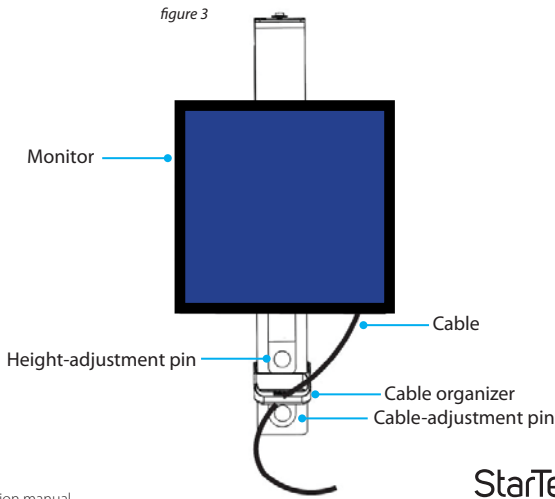


Table of Contents

Warning statements.....	i
Introduction.....	1
Product diagram.....	1
Package contents.....	4
System requirements.....	4
Installation.....	5
About the L-brackets.....	5
Attach the L-brackets.....	5
Attach a monitor.....	6
Route the cables.....	7
Hang the monitor mount.....	8
Hang the monitor mount on a high cubicle wall.....	9
Technical support.....	10
Warranty information.....	10

Introduction

You can use the ARMCBCL to mount your monitor on your cubicle wall and maximize the available work space on your desk. The ARMCBCL includes a height-adjustment pin that you can use to quickly change the height of your monitor, and a cable organizer that can reduce the clutter of cables on your desk. You can also adjust the ARMCBCL to fit the thickness of your cubicle wall. The ARMCBCL is easy to assemble and doesn't require specialized tools to install it.

Product diagram

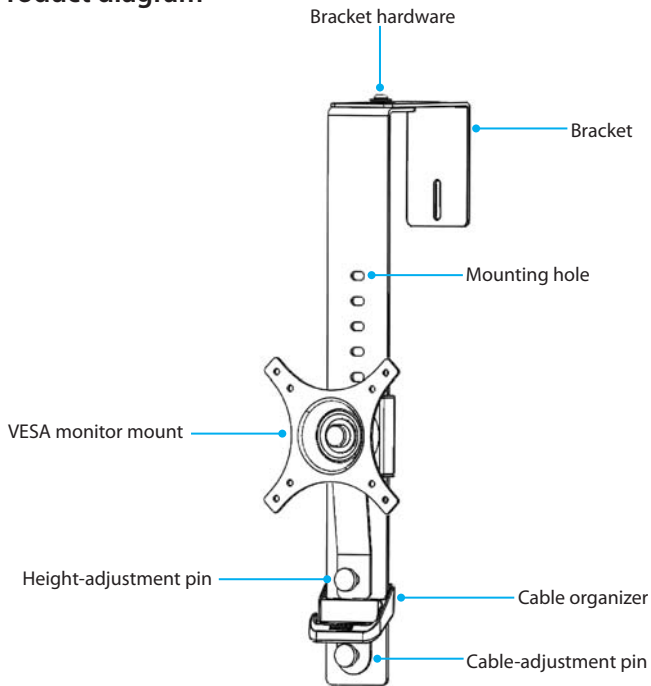
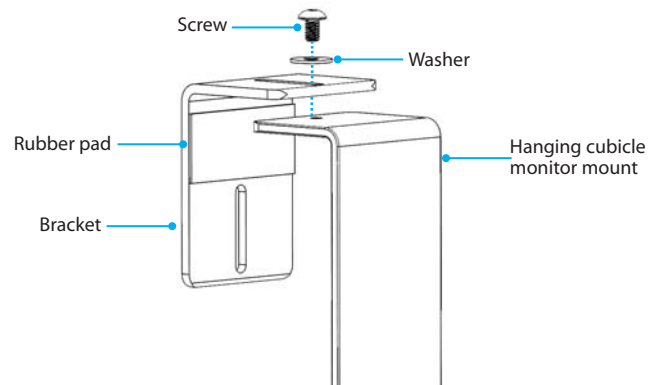


figure 2



7. Slide the monitor mount over the edge of your cubicle wall.
8. Move the bracket until it's approximately the thickness of the cubicle wall. Make sure that you leave 2 mm of space between the cubicle wall and the bracket so that you can slide the monitor mount off of the wall to attach the monitor.
9. Use the screwdriver to tighten the bracket screw.

Attach a monitor

Warning! Make sure that the weight of the monitor doesn't exceed the weight capacity of this product. If you exceed the weight capacity, you might experience personal injury or damage to the equipment. This product can support the following weight: Up to 20 lb. (9 kg).

Caution! To prevent scratching, you should handle the surface of the monitor with care when you attach it to the hanging cubicle monitor mount.

1. Remove the **hanging cubicle monitor mount (1)** from the cubicle wall.

Installation

About the L-brackets

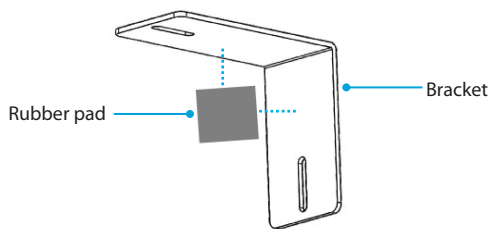
The ARMCBCL comes with two L-brackets that you can use to hang the monitor mount on a variety of different cubicle dividers. The brackets are slotted so that you can set the bracket to the exact thickness of your cubicle wall.

Each L-bracket can be attached to the ARMCBCL using the shorter or longer side of the L-bracket.

Attach the L-brackets

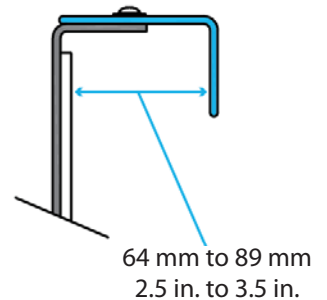
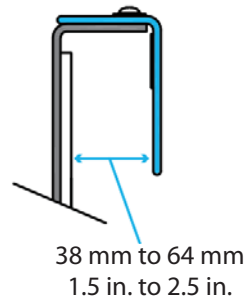
Warning! This product should be attached to a cubicle wall that is sturdy and isn't damaged in any way. If you attach this product to a damaged wall, the product might not work as expected and you might experience equipment or property damage.

1. Determine the approximate thickness of the cubicle wall where you are going to hang the ARMCBCL, and select either the **small L-bracket** (2) or the **large L-bracket** (3).
2. Remove the backing from the two **rubber pads** (4).
3. In the space above each of the slots in the bracket, affix the rubber pads. (*figure 1*)

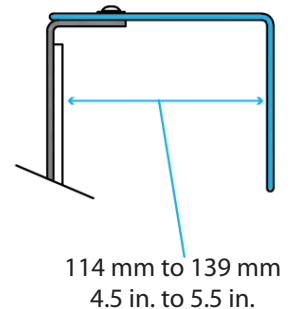
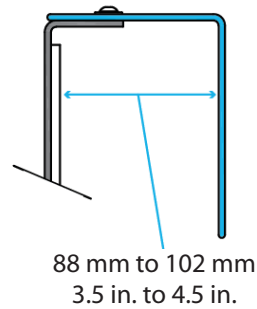


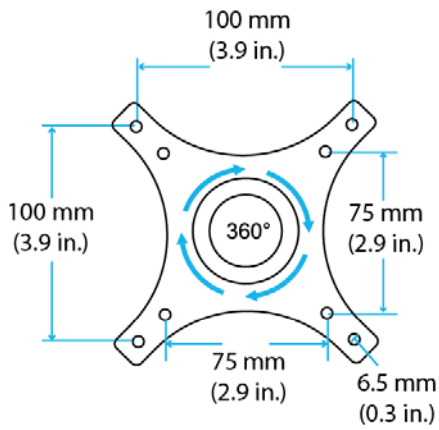
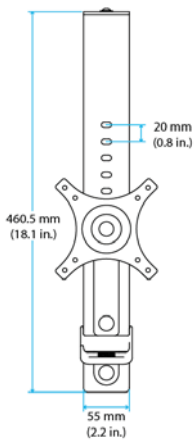
4. Use a Phillips screwdriver to remove the bracket hardware (screw and washer) from the **hanging cubicle monitor mount** (1).
5. Based on the thickness of your cubicle wall, line up either the short side or the long side of the bracket with the hole in the top of the monitor mount.
6. Use the screwdriver to insert the bracket screw through the washer, the bracket, and into the monitor mount. Do not tighten the screw yet. (*figure 2*)

Small L-bracket











Large L-bracket





Package contents

<p>1</p>  <p>Hanging cubicle monitor mount Qty: One</p>	<p>2</p>  <p>Small L-bracket Qty: One</p>	<p>3</p>  <p>Large L-bracket Qty: One</p>
<p>4</p>  <p>Rubber pads Qty: Two</p>	<p>5</p>  <p>M4x12 screws Qty: Four</p>	<p>6</p>  <p>M4x25 screws Qty: Four</p>
<p>7</p>  <p>Spacers Qty: Four</p>	<p>8</p>  <p>Instruction manual Qty: One</p>	

System requirements

- A Phillips screwdriver

System requirements are subject to change. For the latest requirements, please visit www.StarTech.com/ARMCBCL.