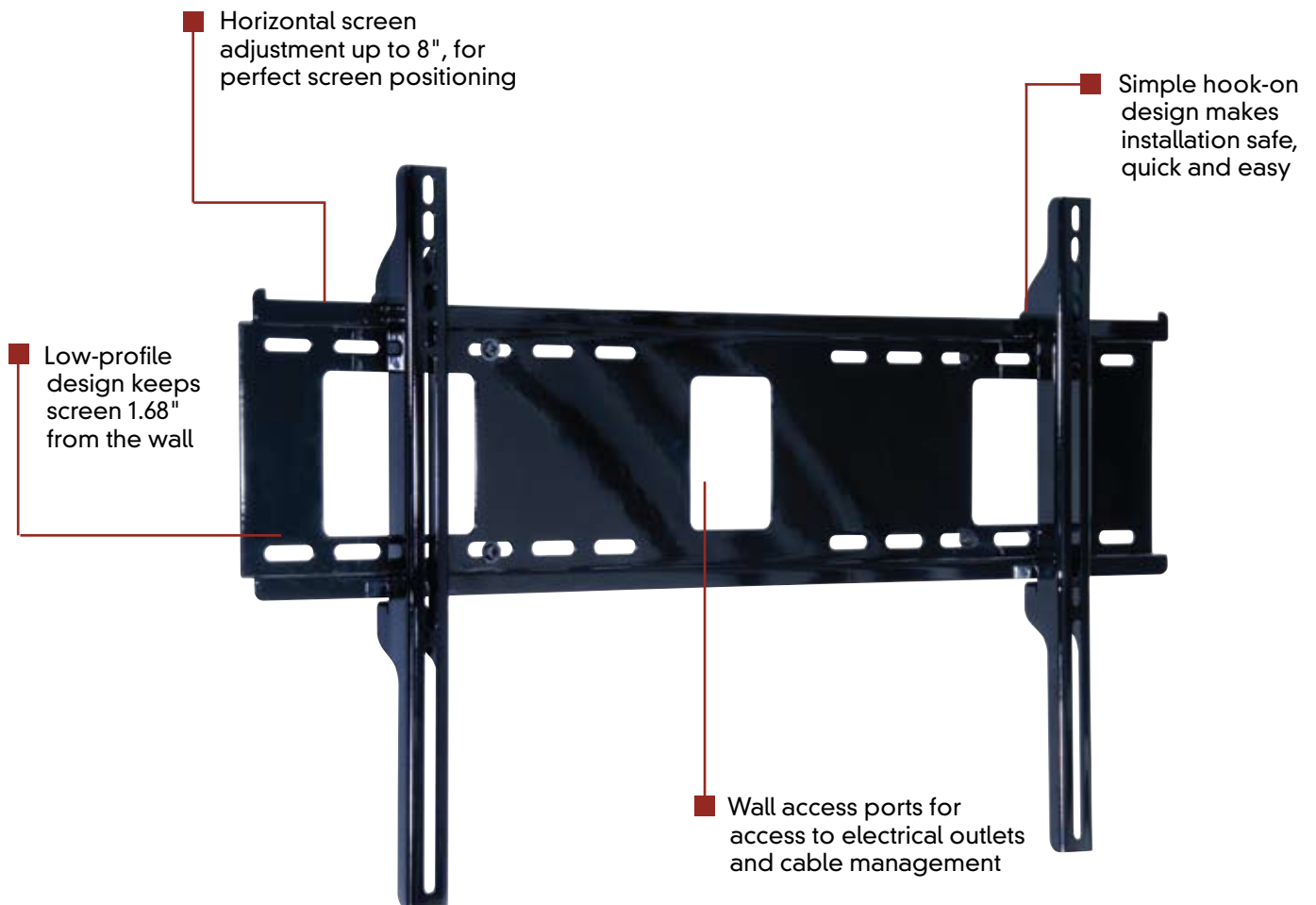


Universal Flat Wall Mount

For 32" to 60" LCD and Plasma Flat Panel Screens

NEW!

Easily install larger screens with this simple, intuitive mounting solution. Cables and cords are easily managed behind the screen with access ports in the wall plate. For that finishing touch after installation, center the screen by smoothly sliding it along the wall plates horizontal rails.





Universal Flat Wall Mount

For 32" to 60" LCD and Plasma Flat Panel Screens

Model Numbers

PF660

Product Specifications

- Universal mount accommodates screens with mounting patterns up to 28.75" W x 17.05" H
- Low-profile design holds screen only 1.68" from the wall for a clean application
- Wall access ports for access to electrical outlets and cable management
- Easy-glide adapters easily hook onto wall plate for a simple, safe and quick installation
- Horizontal screen adjustment of up to 8" (depending on screen model) for perfect screen placement
- Mounts to wood studs, concrete, cinder block or metal studs (metal stud accessory required)
- Comes with Peerless' Sorted-for-You™ fastener pack with all necessary screen attachment hardware
- UL listed

FEATURES

DIMENSIONS (W x H x D) 30.75" x 18" x 1.68" (78.1 x 45.7 x 4.3 cm)

LOAD CAPACITY 200 lb (90.8 kg)

PRODUCT WEIGHT 7.74 lb (3.5 kg)

FINISH Scratch-resistant fused epoxy

AVAILABLE COLORS Gloss black

PATENT Patent pending

Package Specifications

PACKAGE CONTENTS Wall plate, universal adapters, mounting and screen attachment hardware

UNITS IN PACKAGE 1

PACKAGE SIZE (W x H x D) 31.8" x 8.6" x 3.9" (80.8 x 21.8 x 9.9 cm)

PACKAGE SHIP WEIGHT 9.88 lb (4.48 kg)

PACKAGE UPC CODE PF660: 735029252351

WARRANTY Limited 5-year

peerless®
MOUNTS

Peerless Industries, Inc.
3215 W. North Avenue,
Melrose Park, IL 60160

(800) 865-2112

(708) 865-8870

Fax: (708) 865-2941

www.peerlessmounts.com



Low-profile design holds
screen 1.68" from the wall



LIT-0221