



CX517de

Lexmark CX517de

Higher output. 17.8 cm screen. Combines 4 devices in 1.

The CX517de helps make sure your deliverables have a professional look, thanks to its colour-matching tools and PANTONE® calibration. Enjoy printing, copying, and scanning at speeds up to 30 pages per minute. This reliable MFP includes built-in Gigabit networking, advanced security, two-sided print and scan, and a 17.8 cm colour touch screen and keypad to simplify tasks, plus mobile print capability.*

In-house PANTONE colour prints

Lexmark colour-matching tools and PANTONE® calibration deliver rich, consistent colour printing so you can save time and money by producing your colour documents in-house. Thanks to a dual-core processor and generous 1GB of memory (expandable up to 3GB), even complex documents with graphics and images print quickly. The CX517de can deliver the first colour page in as little as 11.5 seconds. With built-in two-sided printing, copying, scanning and faxing, this 4-in-1 device saves you space, time, paper and money.



Colour



Up to 30 ppm



Network



Duplex



Unison Toner



Security



Mobility



17.8 cm touch screen

Security. Confidential Print. Mobile print capability.

Extensive network security features and protocols protect your device, information and network from unauthorised access. Keep your sensitive documents safe by enabling the Confidential Print feature, which requires entering a customised, unique PIN on the device's keypad before the document can be printed.

In addition, you can print from mobile devices using Lexmark's free Mobile Print app or an optional Wi-Fi adapter.



4-year guarantee

Given the choice, wouldn't you prefer to buy a device that protects your investment with a guarantee? The affordable CX517de is so well made, we back it with a guarantee that covers repair actions including the cost of spare parts if they are needed in the first four years**. The guarantee also offers you free 24-hour online support and access to technical support by phone during working hours.

* Requires free Lexmark Mobile Print app with Android or iOS mobile device

**Offer applies if the product is registered within 90 days from the date of purchase. Supplies and/or consumable parts, such as fuser or transfer unit, are excluded. Please refer to the detailed terms and conditions available at lexmark.com/myguarantee.

High Yield cartridges print up to 3,500 colour pages

To help lower cost per page, available High Yield cartridges produce up to 3,500 colour pages and available Extra High Yield cartridges produce up to 8,000 black pages. They never require shaking, which minimises interruptions and keeps work moving. The Lexmark print system and Unison™ Toner ensure consistent print quality throughout the life of the cartridge to prevent wasted prints.

User-friendly

The CX517de is simple to install, easy to use and offers full compatibility with nearly every operating system and network, so you'll be up and running in minutes. It's built to last, so you'll easily be able to print up to 7,000 pages per month, thanks to our state-of-the-art paper handling technology.

The 17.8 cm colour touch screen is customisable, and includes quick access to copy, fax and scan functions, and to pre-installed apps, such as Forms and Favourites, which lets you save frequently used documents and print them from the touch screen.

Lexmark's Mobile Print app for iOS and Android devices provides a simple and consistent user experience for printing from mobile devices. It features simple printer discovery and mobile print and scan.

An automatic document feeder simplifies copying, scanning and faxing with multipage documents.

Eco-friendly

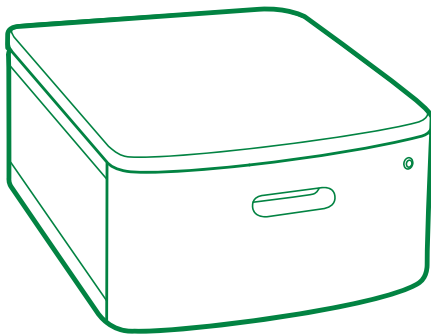
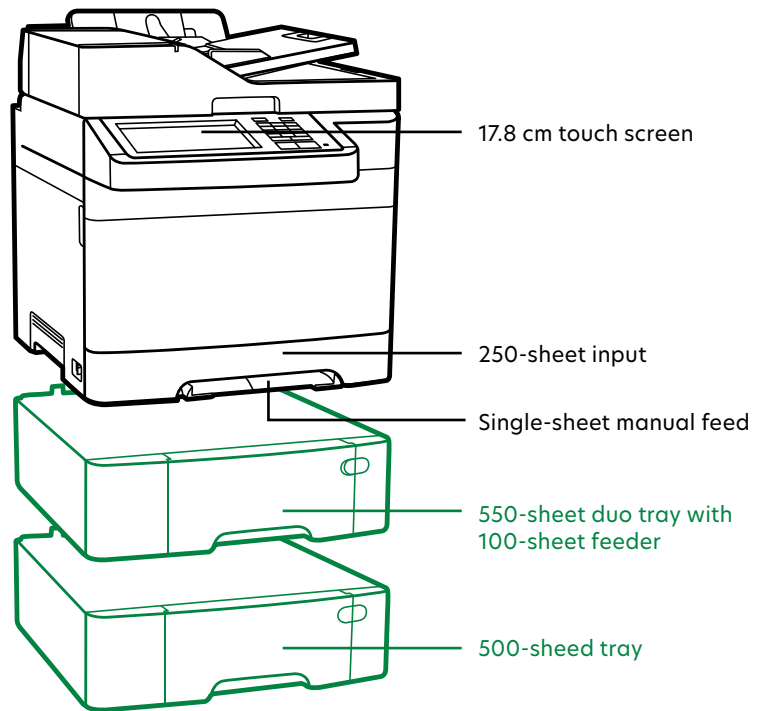
Built-in two-sided printing reduces paper use. The instant warm-up fuser saves energy and delivers the first colour page in as little as 11.5 seconds. Select an energy-saving mode (Quiet, Hibernate or Eco) to automatically minimise noise and energy consumption.

Through LCCP, the Lexmark Cartridge Collection Programme, Lexmark offers a free and easy way for you to return your empty cartridges for sustainable recycling or remanufacturing.

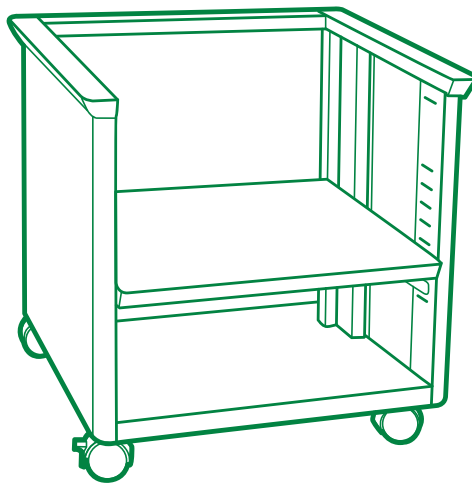


Product specifications	Lexmark CX517de
Printing	
Display	Lexmark e-Task 17.8 cm (7-inch) colour touch screen
Print Speed: Up to ⁵	Black: 30 ppm / Colour: 30 ppm
Time to First Page: As fast as / Time to First Page: as fast as	Black: 10.5 seconds / Colour: 11.5 seconds
Print Resolution	Black: 1200 x 1200 dpi, 4800 Colour Quality (2400 x 600 dpi) / Colour: 1200 x 1200 dpi, 4800 Colour Quality (2400 x 600 dpi)
Memory / Processor	standard: 1024 MB / maximum: 3072 MB / Dual Core, 800 MHz
Hard Disk	Not Available
Recommended Monthly Page Volume ²	1,500 - 7,000 Pages
Maximum Monthly Duty Cycle: Up to ³	85,000 pages per month
Copying	
Copy Speed: Up to ⁵	Black: 30 cpm / Colour: 30 cpm
Time to First Copy: As fast as / Time to First Copy: as fast as	black: 10.8 seconds / colour: 11.6 seconds
Scanning	
Scanner Type / ADF Scan	Flatbed scanner with ADF / RADF (reversing Duplex)
A4/Ltr Duplex Scan Speed: Up to	Mono: 13 / 14 sides per minute / Colour: 13 / 14 sides per minute
A4/Ltr Simplex Scan Speed: Up to	Mono: 30 / 32 sides per minute / Colour: 30 / 32 sides per minute
Faxing	
Modem Speed	ITU T.30, V.34 Half-Duplex, 33.6 Kbps
Supplies⁷	
Laser Cartridge Yields (up to) ¹	8,000-page Black Extra High Yield Cartridge, 2,300-page Colour (CMY) Cartridges, 3,000-page Black Cartridge, 3,500-page Colour (CMY) High Yield Cartridges
Photoconductor Estimated Yield: Up to ⁶	40,000 pages, based on 3 average letter/A4-size pages per print job and ~ 5% coverage
Cartridge(s) Shipping with Product ¹	1,400-page Colour (CMY) Starter Return Programme Toner Cartridge, 3,000-page Black Starter Return Program Toner Cartridge
Paper Handling	
Included Paper Handling	250-Sheet Input, 150-Sheet Output Bin, Integrated Duplex, Single-Sheet Manual Feed
Optional Paper Handling	550-Sheet Tray, 550-Sheet Duo Tray with 100-Sheet Feeder
Paper Input Capacity: Up to	Standard: 250+1 pages 75 gsm bond / Maximum: 1450+1 pages 75 gsm bond
Paper Output Capacity: Up to	Standard: 150 pages 75 gsm bond / Maximum: 150 pages 75 gsm bond
Media Types Supported	Card Stock, Paper Labels, Plain Paper, Transparencies, Refer to the Card Stock & Label Guide.
Media Sizes Supported	A4, A5, Executive, Folio, JIS-B5, Legal, Letter, Universal, Oficio
General Information⁴	
Standard Ports	USB 2.0 Specification Hi-Speed Certified (Type B), Gigabit Ethernet (10/100/1000), Front USB 2.0 Specification Hi-Speed Certified port (Type A), Rear USB 2.0 Specification Hi-Speed Certified port (Type A)
Optional Network Ports	MarkNet N8352 802.11b/g/n Wireless
Noise Level: Operating	Print: 50 dBA / Copy: 50 dBA / Scan: 49 dBA
Specified Operating Environment	Temperature: 16 to 32°C (60 to 90°F), Humidity: 8 to 80% Relative Humidity, Altitude: 0 - 2,896 Metres (9,500 Feet)
Product Guarantee	1-Year Onsite Service, Next Business Day
Size (mm - H x W x D) / Weight	470 x 444 x 589 mm / 28.2 kg

¹Average continuous black or continuous composite CMY declared cartridge yield up to this number of standard pages in accordance with ISO/IEC 19798. ²"Recommended Monthly Page Volume" is a range of pages that helps customers evaluate Lexmark's product offerings based on the average number of pages customers plan to print on the device each month. Lexmark recommends that the number of pages per month be within the stated range for optimum device performance, based on factors including: supplies replacement intervals, paper loading intervals, speed, and typical customer usage. ³"Maximum Monthly Duty Cycle" is defined as the maximum number of pages a device could deliver in a month using a multishift operation. This metric provides a comparison of robustness in relation to other Lexmark printers and MFPs. ⁴Printers are sold subject to certain license/agreement conditions. See www.lexmark.com/printerlicense for details. ⁵Print and copy speeds measured in accordance with ISO/IEC 24734 and ISO/IEC 24735 respectively (ESAT). For more information see: www.lexmark.com/ISOspeeds. ⁶Actual Yield may vary based on other factors such as device speed, paper size and feed orientation, toner coverage, tray source, percentage of black-only printing and average print job complexity. ⁷Product functions only with replacement cartridges designed for use in a specific geographical region. See www.lexmark.com/regions for more details.



Swivel cabinet



Adjustable printer stand

■ Standard
■ Optional

© 2017 Lexmark. All rights reserved.

Lexmark and the Lexmark logo are trademarks or registered trademarks of Lexmark International, Inc. in the United States and/or other countries. All other trademarks are the property of their respective owners. ENERGY STAR® is a U.S. registered mark.