



**24" dual touch screen, based on Optical touch technology**

The ProLite T2453MTS-B1 is based on optical touch technology (2 touch points) with a pure-glass scratch resistive front, offering superior image clarity and screen durability. The screen can be touched with a soft stylus, finger or gloved hand making it suitable for several applications. A solid and steady base supports the touchscreen with an adjustable stand. Multiple inputs (VGA, HDMI, DVI) are available for flexible connectivity along with USB for the touch interface.



**Touch technology - Optical**

This technology uses cameras. A touch event is registered with great accuracy when light is blocked by a finger or stylus. It's the only touch technology that does not rely on an overlay or substrate to register a touch, so it's impossible to physically "wear out" the touchscreen. In fact you don't really have to physically touch the screen.



**OverDrive ON / OFF**

When very fast graphics are displayed your monitor can sometimes get blurry. Turning on the OverDrive feature will eliminate that.

## 01 DISPLAY CHARACTERISTICS

Diagonal	23.6", 59.8cm
Panel	VA LED-backlit
Native resolution	1920 x 1080 (2.1 megapixel Full HD)
Aspect ratio	16:9
Brightness	250 cd/m <sup>2</sup> typical
Brightness	220 cd/m <sup>2</sup> with touch
Static contrast	3000:1 typical
Light transmittance	88%
Advanced contrast	12M:1
Response time	4ms
Viewing zone	horizontal/vertical: 178°/ 178°, right/left: 89°/89°, up/down: 89°/89°
Colour support	16.7mln 8bit (6bit + Hi-FRC)
Horizontal Sync	30 - 80KHz
Vertical Sync	55 - 75Hz
Viewable area W x H	521.3 x 293.2mm, 20.5 x 11.5"
Pixel pitch	0.272mm
Bezel colour and finish	black, matte

## 02 TOUCH

Touch technology	optical
Touch points	2 (HID, only with supported OS)
Touch method	finger, stylus, glove
Touch interface	USB
Supported operating systems	All iiyama monitors are Plug & Play and compatible with Windows and Linux. For details regarding the supported OS for the touch models, please refer to the driver instruction file available in the downloads section.

## 03 INTERFACES / CONNECTORS / CONTROLS

Analog signal input	VGA x1
Digital signal input	DVI x1 HDMI x1
Audio output	Speakers 2 x 2W
HDCP	yes
USB HUB	x2 (2.0)

## 04 FEATURES

OSD key lock	yes
--------------	-----

## 05 GENERAL

OSD languages	EN, DE, FR, RU, JP, NL, PL, IT, ES, CZ
Control buttons	Power, Menu/ Enter, Scroll up/ Audio, Scroll down/ ECO, Input/ Exit

User controls	auto adjust, picture adjust (brightness, contrast, ECO, Blue Light Reducer, ACR, OD, gamma, X-res technology), geometry (H. position, V. position, pixel clock, phase), colour settings (colour temperature, user preset, hue, saturation, i-Style colour), OSD (OSD H. position, OSD V. position, OSD time, after AC cut), language, recall, miscellaneous (sharp and soft, video mode adjust, opening logo, DDC/CI, display information), input source, audio settings (volume, mute audio, audio input)
Convenience	Kensington-lock™ prepared
Blue light reducer	yes
Plug&Play	DDC2B

## 06 MECHANICAL

Tilt angle	73° up; 3° down
VESA mounting	100 x 100mm

## 07 ACCESSORIES INCLUDED

Cables	power (1.8m), USB (1.8m), HDMI (1.8m)
Guides	quick start guide, safety guide

## 08 POWER MANAGEMENT

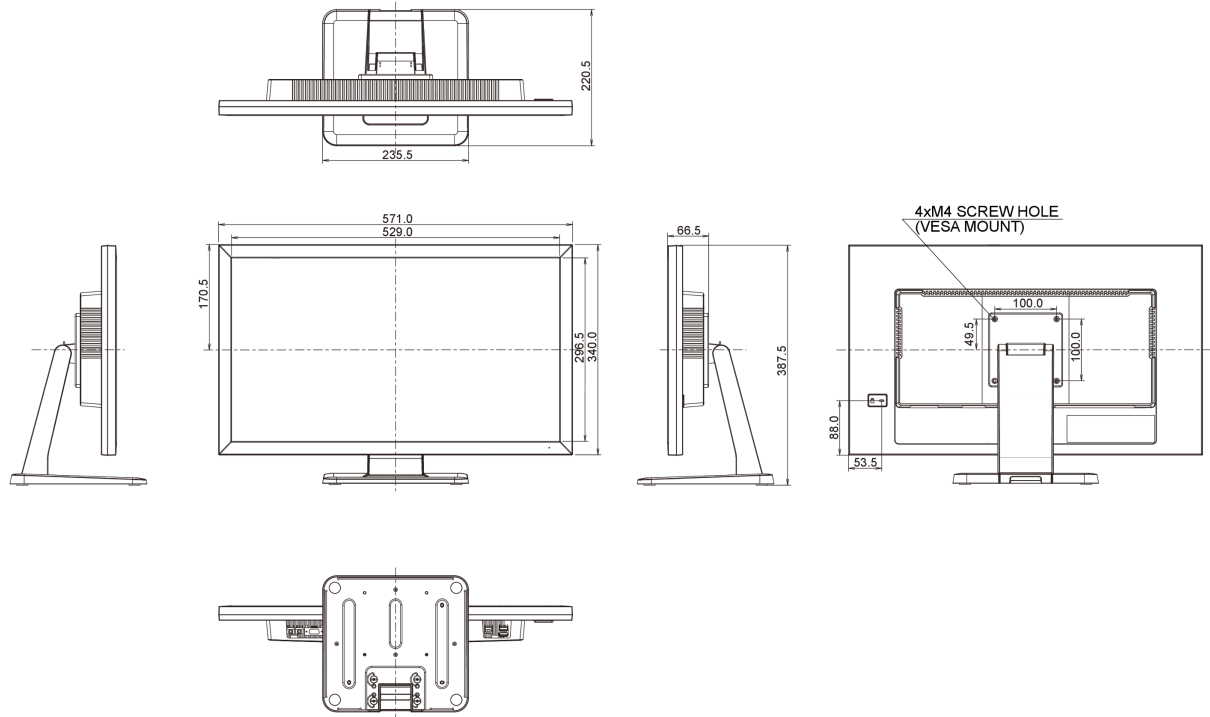
Power supply unit	internal
Power supply	AC 100 - 240V, 50/60Hz
Power usage	18W typical, 0.5W stand by

## 09 SUSTAINABILITY

Regulations	CE, TÜV-Bauart, CB, EAC
Energy efficiency class	A

## 10 DIMENSIONS / WEIGHT

Product dimensions W x H x D	517 x 387.5 x 220.5mm
Weight (without box)	6kg



All trademarks and registered trademarks acknowledged. E & O E. Specification subject to change without notice. All LCD's comply with ISO-9241-307:2008 in connection with pixel defects.

© IIYAMA CORPORATION. ALL RIGHTS RESERVED