

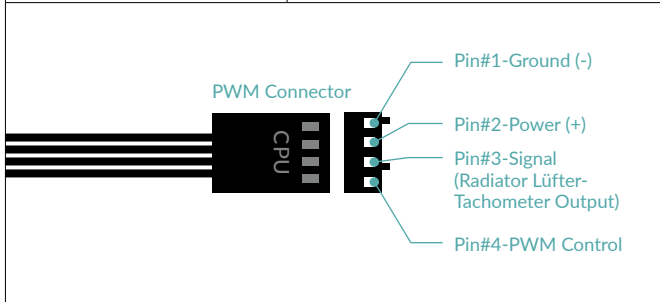
# Liquid Freezer III 240

Multi Compatible All-in-One CPU Water Cooler

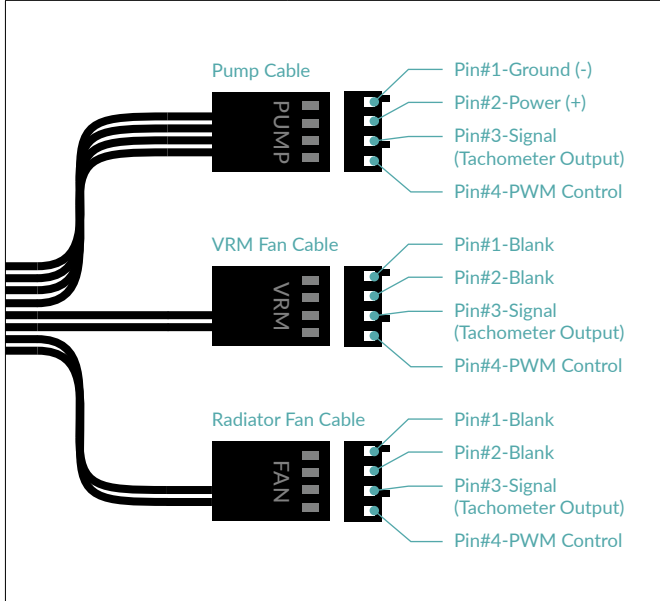


## General Specifications

Compatibility	Intel® LGA1851, LGA1700   AMD® AM5, AM4
PI   NNPI	308   230
TIM	MX-6 (0.8 g)
Warranty	6 Years
Operating Ambient Temperature	0–40 °C
Weight	1490 g
All-In-One Connector	4-Pin PWM Connector



Split Connector	3x 4-Pin PWM Connector
-----------------	------------------------



Pump	800–2800 rpm (PWM controlled)
Current   Voltage	0.35 A   12 VDC
Cold Plate	Copper, Micro Skived Fins
Tube Length	450 mm
Tube Diameter	Outer: 12.4 mm   Inner: 6.0 mm
<b>Radiator</b>	
Material	Aluminium
Dimensions	277 (L) x 120 (W) x 38 (H) mm
<b>VRM Modul</b>	
VRM Fan	400–2500 rpm (PWM controlled)
Current   Voltage	0.05 A   12 VDC

## Radiator Fan Specifications

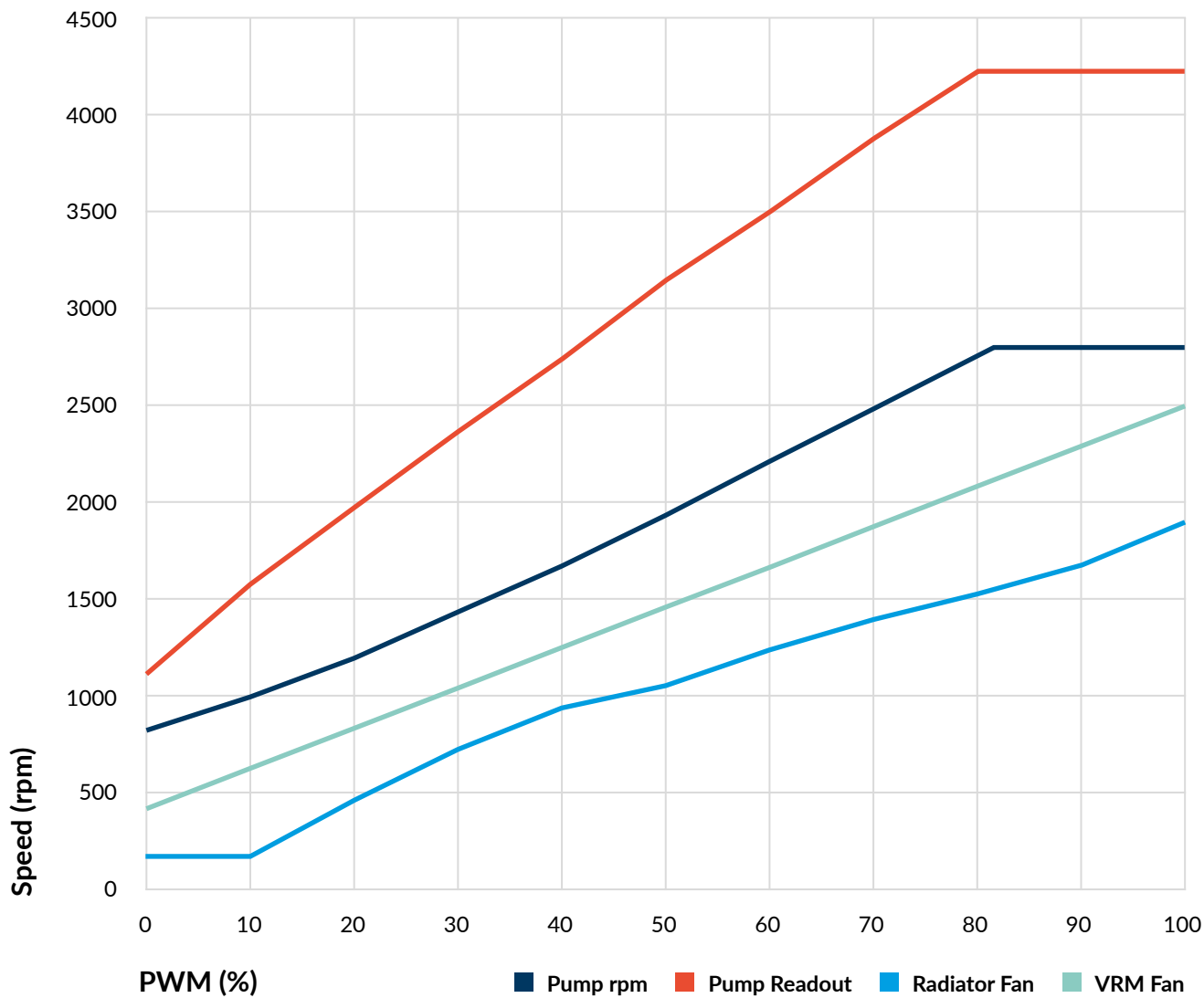
General	2x P12 PWM
Speed	200–1800 rpm
Airflow	56.30 cfm   95.65 m³/h
Static Pressure	2.20 mmH <sub>2</sub> O
Bearing	Fluid Dynamic Bearing
Current   Voltage	0.10 A   12 VDC
Cable Length	40 mm
Connector	4-Pin PWM Connector

## Shipping Information - LF III 240 (Black)

Box Dimension	294 (L) x 171 (W) x 142 (H) mm
Gross Weight	1900 g
SKU	ACFRE00134A
EAN	4895213704465
UPC	840033402231

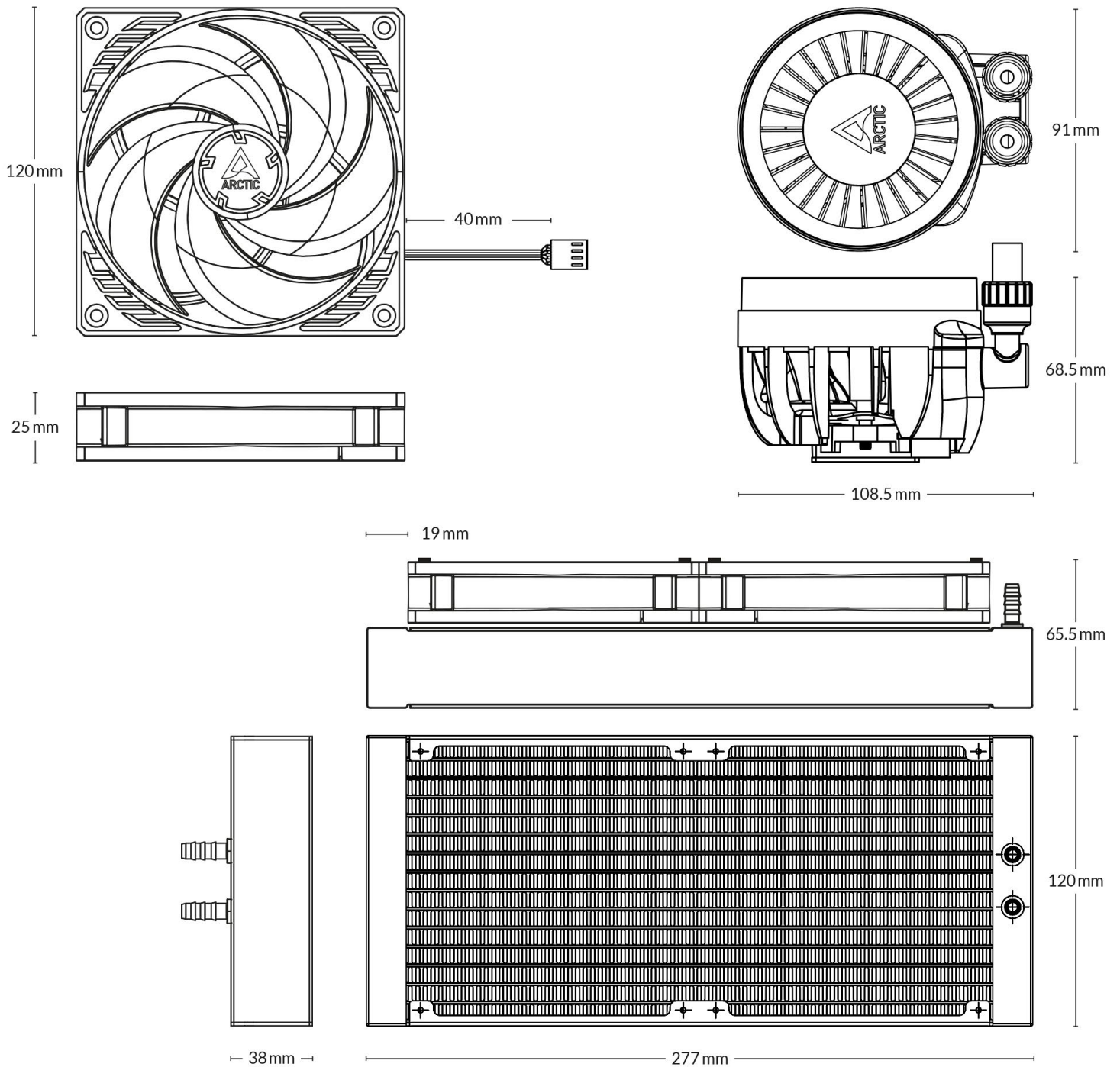
# Liquid Freezer III 240

Multi Compatible All-in-One CPU Water Cooler



# Liquid Freezer III 240

Multi Compatible All-in-One CPU Water Cooler



All materials are compatible with RoHS requirements.

MORE INFORMATION



MANUALS

