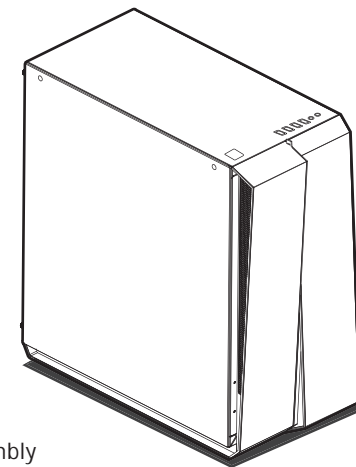


# REDLINE SERIES

Taking affordable enthusiasts PCs to the limit

# RLO7



- Stunning exterior styling with fine details
- Super clean internal look with PSU and drive bay cover
- Quick access filters for easy cleaning
- Smart backside cable routing design
- Motherboard back plate opening for quick CPU cooler assembly
- Supports graphics cards up to 16.3" (415mm)
- Full tempered-glass side panel

www.silverstonetek.com

## Warranty Information

This product has a limited 1 year warranty in North America, Europe, and Australia. For information on warranty periods in other regions, please contact your reseller or SilverStone authorized distributor.

Warranty terms & conditions	
1. Product component defects or damages resulted from defective production is covered under warranty. Defects or damages with the following conditions will be fixed or replaced under SilverStone Technology's jurisdiction.	
a) Usage in accordance with instructions provided in this manual, with no misuse, overuse, or other inappropriate actions.	
b) Damage not caused by natural disaster (thunder, fire, earthquake, flood, salt, wind, insect, animals, etc...)	
c) Product is not disassembled, modified, or fixed. Components not disassembled or replaced.	
d) Warranty mark/stickers are not removed or broken.	
Loss or damages resulted from conditions other than ones listed above are not covered under warranty.	
2. Under warranty, SilverStone Technology's maximum liability is limited to the current market value for the product (depreciated value, excluding shipping, handling, and other fees). SilverStone Technology is not responsible for other damages or loss associated with the use of product.	
3. Under warranty, SilverStone Technology is obligated to repair or replace its defective products. Under no circumstances will SilverStone Technology be liable for damages in connection with the sale, purchase, or use including but not limited to loss of data, loss of business, loss of profits, loss of use of the product or incidental or consequential damage whether or not foreseeable and whether or not based on breach of warranty, contract or negligence, even if SilverStone Technology has been advised of the possibility of such damages.	
4. Warranty covers only the original purchaser through authorized SilverStone distributors and resellers and is not transferable to a second hand purchaser.	
5. You must provide sales receipt or invoice with clear indication of purchase date to determine warranty eligibility.	
6. If a problem develops during the warranty period, please contact your retailer/reseller/SilverStone authorized distributors or SilverStone <a href="http://www.silverstonetek.com">http://www.silverstonetek.com</a> .	
Please note that: (i) You must provide proof of original purchase of the product by a dated itemized receipt; (ii) You shall bear the cost of shipping (or otherwise transporting) the product to SilverStone authorized distributors. SilverStone authorized distributors will bear the cost of shipping (or otherwise transporting) the product back to you after completing the warranty service; (iii) Before you send the product, you must be issued a Return Merchandise Authorization (RMA) number from SilverStone. Updated warranty information will be posted on SilverStone's official website. Please visit <a href="http://www.silverstonetek.com">http://www.silverstonetek.com</a> for the latest updates.	

计算机壳		有毒有害物质/元素及其化学含量表				
部件名称	铅 (Pb)	汞 (Hg)	镉 (Cd)	六价铬 (Cr(VI))	多溴联苯 (PBB)	多溴二苯醚 (PBDE)
机壳 (金属)	×	○	○	○	○	○
机壳 (塑胶)	○	○	○	○	○	○
风扇	×	○	○	○	○	○
电子卡	×	○	○	○	○	○
线材	×	○	○	○	○	○
螺丝	×	○	○	○	○	○
包材	○	○	○	○	○	○

○: 表示该有毒有害物质在该部件所有均质材料中的含量均在SJ/T11364-2014标准规定的限量要求以下。  
 ×: 表示该有毒有害物质在该部件材料中的含量超出SJ/T11364-2014标准规定的限量要求。  
 本表中有×的部件均符合欧盟RoHS法规, 即欧盟第2011/65/EU号指令要求。

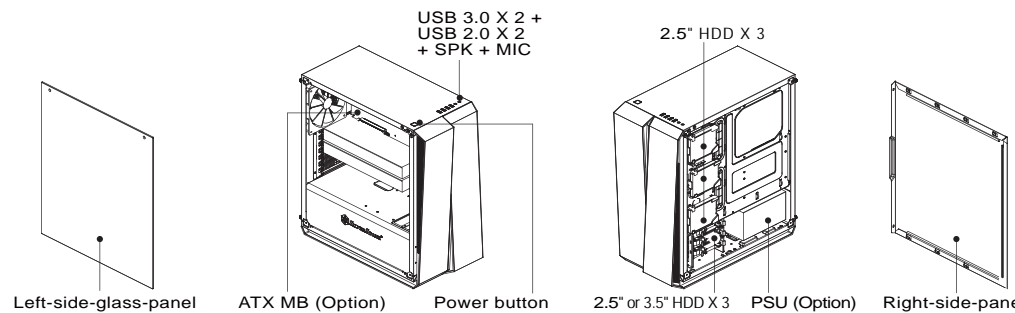


## Additional info & contacts

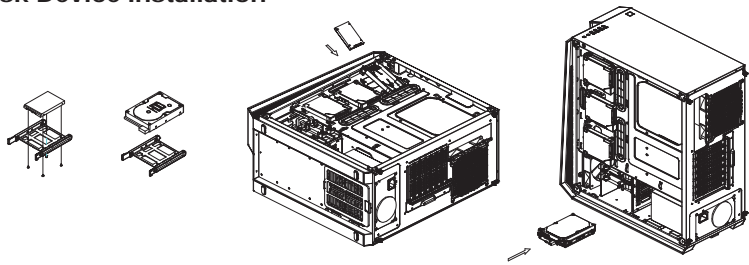
**For North America (usasupport@silverstonetek.com)**  
 SilverStone Technology in North America may repair or replace defective product with refurbished product that is not new but has been functionally tested. Replacement product will be warranted for remainder of the warranty period or thirty days, whichever is longer. All power supplies should be sent back to the place of purchase if it is within 30 days of purchase, after 30 days, customers need to initiate RMA procedure with SilverStone Technology in USA by first downloading the "USA RMA form for end-users" form from the below link and follow its instructions. <http://silverstonetek.com/contactus.php>  
**For Australia only (support@silverstonetek.com)**  
 Our goods come with guarantees that cannot be excluded under the Australian Consumer Law. You are entitled to a replacement or refund for a major failure and for compensation for any other reasonably foreseeable loss or damage. You are also entitled to have the goods repaired or replaced if the goods fail to be of acceptable quality and the failure does not amount to a major failure. Please refer to above "Warranty terms & conditions" for further warranty details.  
 SilverStone Technology Co., Ltd. 12F No. 168 Jiankang Rd., Zhonghe Dist., New Taipei City 235 Taiwan R.O.C. + 886-2-8228-1238 (standard international call charges apply)  
**For Europe (support.eu@silverstonetek.de)**  
**For all other regions (support@silverstonetek.com)**

## Specifications

Model No.	SST-RL07B-G (black + red led + tempered glass window) SST-RL07W-G (white + blue led + tempered glass window)
Material	Steel front panel, steel body, tempered glass side panel
Motherboard	ATX ( up to 12" x 11" ), Micro ATX
Drive Bay	Internal 3.5" x 3 (compatible with 2.5"), 2.5" x 3
Cooling System	Front 3 x 120 / 140mm fan slot Rear 1 x 120 / 140mm fan slot (1 x 140mm exhaust fan included)
Radiator support	Front 120mm x 1 ; 240mm / 280mm / 360mm x 1 Rear 120mm / 140mm x 1
Expansion Slot	7
Front I/O Port	USB 2.0 x 2, USB 3.0 x 2, Audio x 1, MIC x 1
Power Supply	Optional PS2 (ATX)
Expansion Card	Compatible up to 16.3" (415mm) in length, width restriction -6.57" (167mm)
Limitation of CPU cooler	167mm
Limitation of PSU	190mm
Net Weight	8.2 kg
Dimension	226mm (W) x 488mm (H) x 465mm (D), 51.2 Liters



## 2.5" / 3.5" Disk Device Installation



Place your hard drive on the tray and secure with included screws.  
Caution: the secure with mount of hard drive tray should be place at the same side with your hard drive connector jack.

**DEUTSCH**

Positionieren Sie Ihre Festplatte am Einschub und sichern Sie sie mit den mitgelieferten Schrauben. Achtung: Die Befestigung des Festplatteneinschubs sollte auf der Seite erfolgen, auf der sich auch der Festplattenanschluss befindet.

**FRANÇAIS**

Placez votre disque dur sur le plateau et fixez-le avec les vis fournies. Attention : le support du plateau de disque dur doit être du même côté que la prise du connecteur de disque dur.

**ESPAÑOL**

Coloque su disco duro en la bandeja y fijelo con los tornillos incluidos. Aviso: el disco duro montado en la bandeja debería situarse en el mismo lado de su conector para disco duro.

**ITALIANO**

Collocare il disco rigido nel cassetto e fissarlo utilizzando le viti fornite in dotazione. Attenzione: la parte con le prese del cassetto contenente il disco rigido deve essere collocata sullo stesso lato del connettore del disco rigido.

**РУССКИЙ**

Поместите жесткий диск в лоток и закрепите его винтами из комплекта. Внимание! Крепление лотка выполняется с той же стороны, где расположен соединительный разъем для жесткого диска.

**繁體中文**

將硬碟安裝至硬碟托盤中，並以内附螺絲鎖固後，請注意鎖固硬碟托盤的方向必須與硬碟連接線接頭一致。

**簡體中文**

將硬碟安裝至硬盤托盤中，並以内附螺絲鎖固後，請注意鎖固硬盤托盤的方向必須與硬盤連接線接頭一致。

**日本語**

ハードディスクをトレイに置き、付属のネジで固定します。注意：ハードディスクドライブトレイは、ハードディスクコネクタジャックと同じ向きに設置してください。

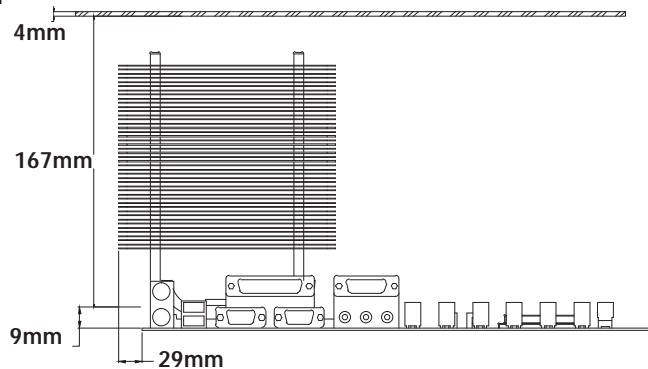
**한국어**

하드 드라이브를 트레이에 올려 놓고 제 공된 나사를 사용하여 고정합니다. 주의: 하드 드라이브 트레이는 하드 드라이브 커넥터 잭과 동 일한 면에 놓고 장착해야 합니다.

## Component size limitations

The RL07 was designed to accommodate oversized components, but we still recommend referring to the following dimension guidelines:

### (1) CPU Cooler limitation



Height limitation for CPU cooler is 167mm with 29mm clearance over the motherboard's top edge.

**DEUTSCH**

Höhenbeschränkung für CPU-Kühler 167 mm mit einem Freiraum von 29 mm oberhalb der Motherboard-Oberkante.

**FRANÇAIS**

La limitation de hauteur des refroidisseurs de processeurs est 167mm avec un espace de 29mm au-dessus du bord supérieur de la carte mere.

**ESPAÑOL**

La limitación de altura para disipadores de CPU es de 167mm con un espacio libre de 29mm sobre el borde superior de la placa base.

**ITALIANO**

La limitazione dell'altezza del dissipatore di calore CPU è di 167 millimetri con uno spazio libero di 29mm sopra il bordo superiore della scheda madre.

**РУССКИЙ**

Ограничение по высоте для системы охлаждения процессора составляет 167 мм с 29-мм зазором над верхним краем системной платы.

**繁體中文**

Cooler 限高是167mm, Cooler 外緣允許超出主機板上邊界29mm。

**簡體中文**

Cooler 限高是167mm, Cooler 外緣允許超出主板上邊界29mm。

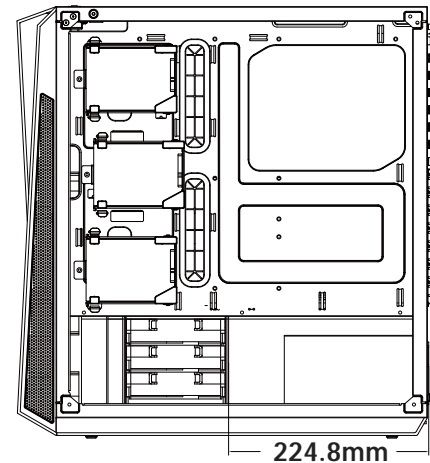
**日本語**

CPUクーラーの高さ限度は、マザーボード上側の余裕29mmを取って、167mmです。

**한국어**

CPU 쿨러의 높이 제한은 167mm로서 메인보드 상단 가장자리 위로의 허용 오차가 29mm 입니다.

### (2) Power supply limitation



The RL07 supports power supply with depth of up to 190mm.

**DEUTSCH**

Das RL07 unterstützt Netzteile mit einer Tiefe von bis zu 190mm.

**FRANÇAIS**

Le RL07 est compatible avec les alimentations d'une profondeur inférieure ou égale à 190mm.

**ESPAÑOL**

La RL07 acepta fuentes de alimentación con una profundidad de hasta 190mm.

**ITALIANO**

RL07 supporta alimentatori con profondità fino a 190mm.

**РУССКИЙ**

Корпус RL07 допускает установку блока питания глубиной до 190mm.

**繁體中文**

RL07可支援至長度190mm的PSU。

**簡體中文**

RL07可支持至長度190mm的PSU。

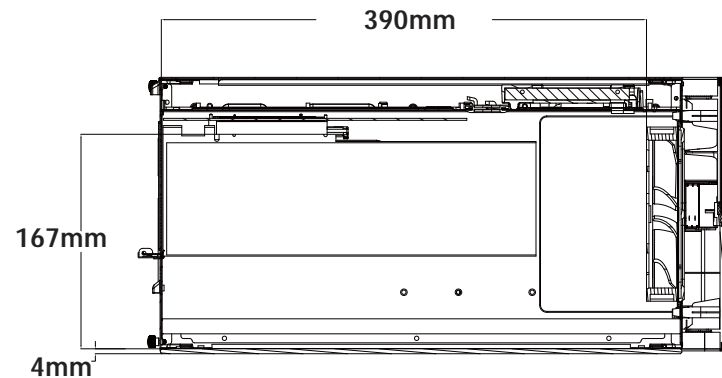
**日本語**

RL07は最高190mmの奥行き電源をサポートします。

**한국어**

RL07은 190mm의 깊이를 갖는 파워 서플라이까지 지원합니다.

### (3) Graphics card / expansion card length limitation



RL07 can support 16.3" (415mm) long cards, which covers all retail consumer graphics cards available on the market.

**DEUTSCH**

RL07 unterstützt Karten bis 16,3" (415mm). Dies deckt alle auf dem Markt verfügbare Consumer-Grafikkarten ab.

**FRANÇAIS**

RL07 peut supporter des cartes de jusqu'à 16,3" (415mm) de long, ce qui couvre toutes les cartes graphiques disponibles actuellement sur le marché.

**ESPAÑOL**

La RL07 puede aceptar tarjetas largas de 16,3" (415mm), lo que cubre todas las tarjetas gráficas para usuario disponibles en el mercado.

**ITALIANO**

RL07 supporta schede lunghe 16,3" (415mm), coprendo tutte le schede grafiche consumer in vendita al dettaglio disponibili sul mercato.

**РУССКИЙ**

Корпус RL07 позволяет устанавливать 16,3" (415mm) карты, что покрывает весь доступный рынок розничной продажи графических карт.

**繁體中文**

RL07支援到PCI E規格定義的上限16.3" (415mm)顯示卡，市面上零售的消費及顯示卡應該都能安裝。

**簡體中文**

RL07支持到PCI E規格定義的上限16.3" (415mm)顯示卡，市面上零售的消費及顯示卡應該都能安裝。

**日本語**

RL07は16.3" (415mm)長のカードに対応します。これは市場に出回るリテール消費用グラフィックスカード全てを網羅します。

**한국어**

RL07는 16.3" (415mm)의 긴 카드를 지원할 수 있으며, 이는 시중에 출시된 모든 소매 소비자용 그래픽 카드를 포함합니다.