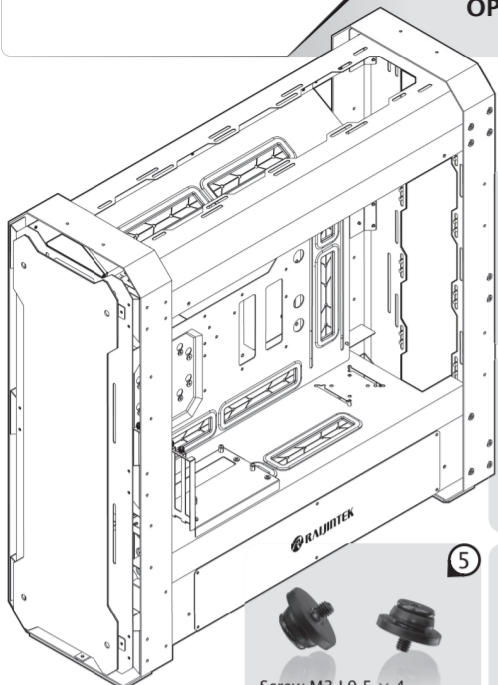




ERIS EVO

OPEN FRAME PERFORMANCE MONSTER



- ① Hexagon Screw × 24 Panels/Fan Tray
- ② Screw L1 3.6 × 16 Front/Rear Cover/Tempered Glass
- ③ Screw #6-32 L6 × 6 VGA Cards
- ④ Screw #6-32 L8.5 × 4 3.5" HDD
- ⑤ Screw M3 L9.5 × 4 2.5" SSD
- ⑥ Rubber Pad × 16 Cover Bracket/Tempered Glass
- ⑦ Stand-off L6 × 3 Motherboard
- ⑧ Screw M3 L6 × 16 2.5" SSD
- ⑨ Screw #6-32 L6 × 8 PSU
- ⑩ Screw M3 L10 × 2 I/O Box Module
- ⑪ Screw #6-32 L6 × 46 MB/PCI/PCB/3.5" HDD

- ⑫ Cable tie × 10 Settle Cable
- ⑬ Allen Key × 1 Panels/Fan Tray
- ⑭ Stand-off L15 × 4 PCI Bracket
- ⑮ Stand-off L9 × 16 Cover Bracket/Tempered Glass
- ⑯ Rubber Pad × 8 Cover Backside
- A Front/Rear Cover × 2
- B Cover Bracket × 4

GLASS PANEL

- C Front/Rear Panel × 2
- D Top Panel × 1
- E Bottom Chamber × 1
- F MB Tray × 1
- G PCI Bracket × 1
- H Mini-ITX PCI Bracket × 2
- I Vertical SLI VGA Bracket × 1
- J Top Filter × 1
- K Rear Glass Panel × 1
- L Front Glass Panel × 1
- M I/O Module × 1
- N HDD Cage × 2
- O Fan Tray × 1
- P PSU Tray × 1
- Q Chamber Cover × 1
- R PSU Tray Cover × 1

