



Red Eagle - fly high with your ultimate partner in battle

The 24" G-MASTER GB2488HSU known as Red Eagle is a real game changer, giving true gamers the competitive edge they need to make split second decisions. It spikes down on your enemies with a blistering 1 ms response time, ensuring fluid and accurate transition between the images. Armed with FreeSync technology and 144Hz refresh rate, this powerful predator has no mercy for ghosting effects or smearing issues. Perfect vision manifested in the ability to adjust brightness and the dark shades with the Black Tuner delivers greater viewing performance in shadowed areas. No matter which you prefer: RTS, MOBA and MMO - choose Red Eagle and rank yourself top of the gamer community food chain.



1 MS

Fast response time is key to ultra-smooth game. It reduces ghosting and blurring providing the user with a rich experience to improve performance



144 HZ

Rapid refresh rate and frame rate guarantee smooth, blur free and judder free graphics, with lower latency and lag improving response times for fast paced games. Especially suited to the fast pace games like FPS, racers, MOBA and sports where the 144hz refresh rate delivers the crisp and sharp images needed to raise your game. For 144 fps game-play it is required to have a graphic card that supports dual link 144Hz DVI.

1. DISPLAY CHARACTERISTICS

DIAGONAL

24"; 61cm

ASPECT RATIO	16 : 9
PANEL	TN LED, matte finish
NATIVE RESOLUTION	Full HD 1080p, 1920 x 1080 (2.1 megapixel)
BRIGHTNESS	350 cd/m ² typical
CONTRAST	1000 : 1 typical
CONTRAST	12 000 000 : 1 ACR
RESPONSE TIME	1 ms
VIEWING ZONE	horizontal/vertical: 170° / 160° ; right/left: 85° / 85° ; up/down: 80° / 80°
DISPLAY COLOUR	16.7 million
BLUE LIGHT REDUCER	yes
FLICKER FREE LED	yes
DISPLAY AREA H X W	298.9 x 531.4 mm; 11.8" x 20.9"
PIXEL PITCH H X V	0.277 x 0.277 mm
HORIZONTAL SYNC	DVI/DP: 30 - 160 KHz
VERTICAL SYNC	DVI/DP: 55 - 145 Hz
SYNCHRONIZATION	Separate Sync

2. INTERFACES & CONNECTORS

DIGITAL INPUT CONNECTOR	DVI-D, 2 x HDMI, DisplayPort
HDCP	yes;
HEADPHONE CONNECTOR	Yes
OUTPUT CONNECTOR	headphone socket
USB HUB	2 outputs (v. 3.0)

3. FEATURES

APPLE - MAC	All iiyama monitors are compatible with Apple-Macintosh computers.
PLUG & PLAY	VESA DDC2B™
CONTROLS	Via OSD in 10 languages (EN, FR, DE, NL, PL, IT, CZ, RU, JP, Chinese (simplified and traditional) and 5 front controls (Power, Select/ Input, Scroll up/ Audio Adjust, Scroll down/ i-Style Mode, Menu)
USER CONTROLS	picture adjust (contrast, brightness, OverDrive, ACR, ECO, black tuner, HDMI RGB range, picture format, sharpness, X-Res Technology), input select, audio adjust (volume, mute, digital audio), colour, language, OSD settings (H. position, V. position, OSD transparency, OSD time out), setup menu (store user settings, FreeSync, blue light reducer, opening logo, LED, information, memory recall)
SPEAKERS	2 x 3 W (Stereo)
ANTI-THEFT-DEVICE	Kensington-lock™ prepared
CERTIFICATES	CE, TÜV-Bauart, CU, VCCI-B, PSE
EXTRA FUNCTIONS	Supports FreeSync™ Technology (DisplayPort)
HEIGHT ADJUSTABLE STAND	Yes
HEIGHT ADJUSTMENT	130 mm

ROTATION (PIVOT FUNCTION)	90°
SWIVEL STAND	90°; 45° left; 45° right
TILT ANGLE	22° up; 5° down
VESA MOUNTING	100 x 100 mm
COLOUR	Black

4. ACCESSORIES

INCLUDED ACCESSORIES	power cable, DVI-D cable (dual-link), DisplayPort cable, USB cable, audio cable, stand, screw 3pcs, quick start guide, safety guide
----------------------	---

5. POWER MANAGEMENT

POWER SUPPLY	AC 100 - 240 V, 50 / 60 Hz
POWER SUPPLY UNIT	internal
POWER USAGE	34 W typical; max. 0.5 W in Power management mode
POWER MANAGEMENT	VESA DPMS

6. EU ENERGY EFFICIENCY LABEL

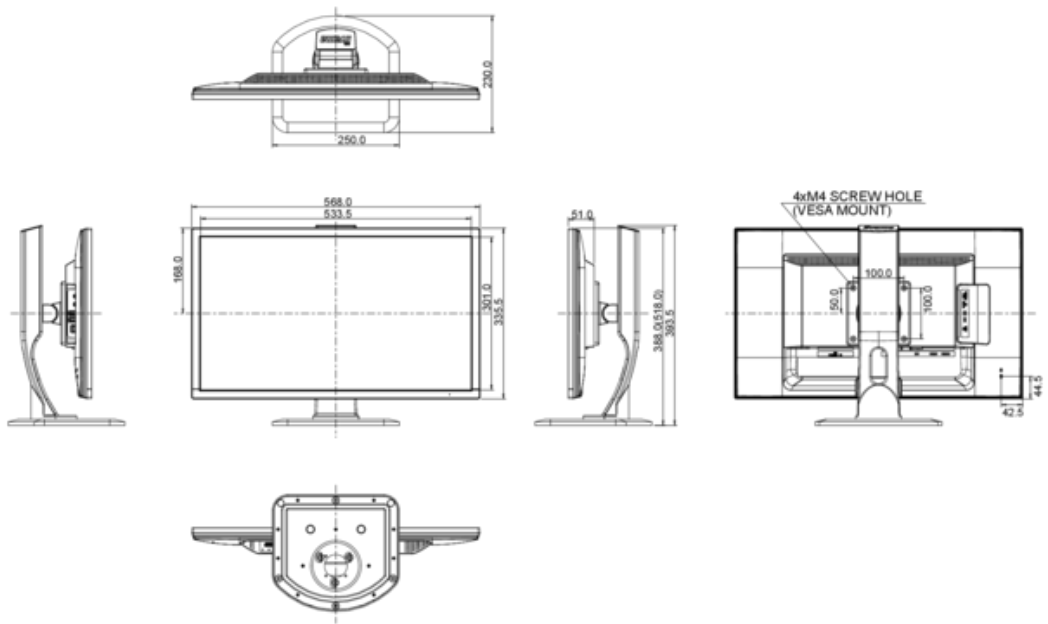
ENERGY EFFICIENCY CLASS	B
ON MODE POWER CONSUMPTION	35.3W
ANNUAL ENERGY CONSUMPTION	52 kWh/annum*
VISIBLE SCREEN DIAGONAL	61 cm; 24"; (24" segment)

This is information under Regulation (EU) No 1062/2010.

**Based on the power consumption of the television operating 4 hours per day for 365 days. The actual energy consumption will depend on how the television is used.*

7. DIMENSIONS & WEIGHT

DIMENSIONS W X H X D	568 x 388 (518) x 230 mm
WEIGHT	5.6 kg



All trademarks and registered trademarks acknowledged. E & O E. Specification subject to change without notice. All LCD's comply with ISO-9241-307:2008 in connection with pixel defects.

© IIYAMA CORPORATION (). ALL RIGHTS RESERVED.