



[corsair.com](http://corsair.com)

**EMAIL:** [support@corsair.com](mailto:support@corsair.com)  
**FACEBOOK:** [facebook.com/corsair](https://facebook.com/corsair)  
**BLOG:** [blog.corsair.com](http://blog.corsair.com)



**FORUM:** [forum.corsair.com](http://forum.corsair.com)  
**TWITTER:** [twitter.com/corsair](https://twitter.com/corsair)  
**BULLDOG PAGE:** [corsair.com/bulldog](http://corsair.com/bulldog)

USA and CANADA: (888) 222-4346 | INTERNATIONAL: (510) 657-8747 | FAX: (510) 657-8748

5-year warranty covers case, cooling, and power supply only. Motherboards shipped pre-installed in the Bulldog kit are warranted for one year.



**Table of Contents**

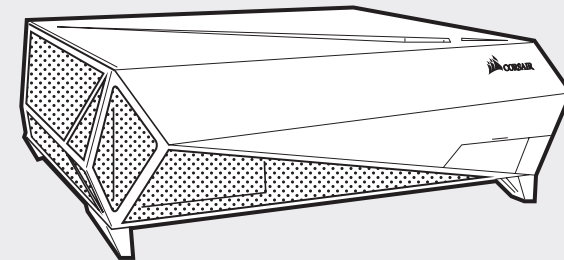
- Introduction.....2
- Bulldog Case Specifications.....2
- Bulldog Kit Contents.....3
- Accessory Box Contents.....4
- SF600 Specifications.....5
- SF600 DC Cable Listing .....5
- Bulldog Compatibility List .....6
- Bulldog Features.....7

**“How to Build Bulldog” Contents**

- Removing the Top Panel.....9
- Installing the CPU, Memory, and Front Panel Headers.....9
- Mounting the H6 SF Block .....10
- Removing the Drive Tray .....10
- Installing a Graphics Card .....11
- Mounting the Graphics Card Radiator.....12
- Installing a 2.5” SSD or Hard Drive.....13
- Installing a 3.5” Hard Drive.....13
- Connecting SSDs and Hard Drives .....15
  
- Bulldog Placement.....17
- Additional Resources and Warranty .....18

**Thank you for purchasing the Corsair Bulldog!**

The Corsair Bulldog operates as the foundation for your high performance entertainment PC. It’s designed to be easy to build in while running quiet, fast, and cool. Whether it’s for the living room or the dorm room, Bulldog allows you to harness some of the most powerful graphics cards and processors on the planet, giving you the gaming experience of a full size desktop PC without the bulk.



**Bulldog Case Specifications**

**Dimensions**

- Length.....404mm
- Width.....448mm
- Height.....145mm

---

**Maximum GPU Length** .....300mm

**Maximum GPU Height** .....115mm

---

**Case Fan Specifications**

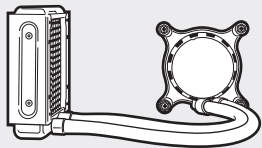
- Length.....25mm
- Width.....92mm
- Height.....92mm
- RPM .....1800 RPM ± 10%
- Static Pressure.....0.1 inch-H2O
- Air Flow .....29.7 CFM
- Sound Level .....19.1 dB(A)

---

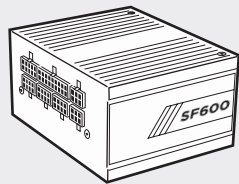
- Front Fan Mounts (Included) .....92mm
- Side Fan Mounts (Included).....92mm
- Bottom Fan Mounts (Not Included) .....120mm
- Bottom Liquid Cooling Mounts .....120mm



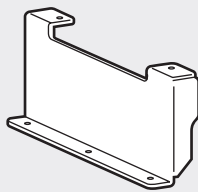
**Bulldog Kit Contents**



**a** x1  
Hydro Series H6 SF  
Liquid CPU Cooler  
(Installed)



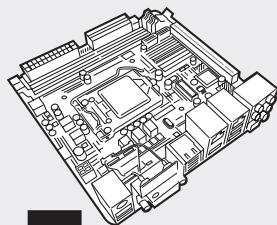
**b** x1  
SF600 Power Supply  
(Installed)



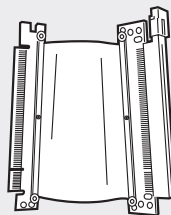
**c** x1  
GPU support bracket  
(Installed)



**d** x2  
Fan Y-header (Installed)



**e** x1  
Intel Z-Series Mini-ITX  
Motherboard (Installed)



**f** x1  
Graphics card riser ribbon  
(Installed)

**Accessory Box Contents**



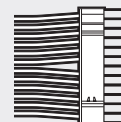
**a** x1  
Power cable



**b** x2  
2.5" drive tray



**c** x14  
Motherboard screws



SFX cable 24 pin (20+4)



PCIe 8 pin (6+2) cable



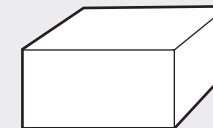
EPS/SFX12V 8 pin (4+4) cable



SATA cable

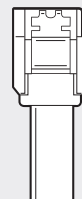


Peripheral cable (4-pin)

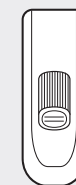


**d** x1  
SF600 modular cable kit

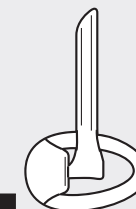
**e** x2  
Foam graphics  
card support



**f** x2  
SATA data cable



**g** x1  
8GB driver thumb drive



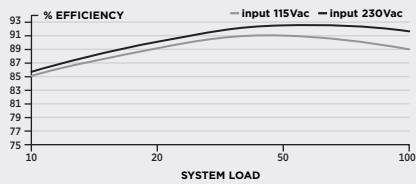
**h** x1  
Wi-Fi antenna  
(May differ from picture)



**SF600 SFX Power Supply Specifications**

			Max Load	Max Output
<b>Model</b>	RPS0026	<b>+3.3V</b>	20A	120W
<b>Part No.</b>	CP-9020105 / 75-011264	<b>+5V</b>	20A	
<b>AC Input Rating</b>	100-240V	<b>+12V</b>	50A	600W
<b>Input Current</b>	10A-5A	<b>-12V</b>	0.3A	3.6W
<b>Frequency</b>	47~63Hz	<b>+5Vsb</b>	2.5A	12.5W
<b>Total Power: 600W @ 40C</b>				

Corsair SF600 power supply efficiency



Corsair SF600 power supply fan noise curve



**Corsair SF600 DC Cable Listing**

Qty	Description	Connectors Per Cable	Total Length
1	<b>SFX Cable 24 pin (20+4)</b> 	1	160mm
		<b>Total Connectors</b>	(± 10mm)
		1	
1	<b>EPS/SFX12V 8 pin (4+4) cable</b> 	1	400mm
		<b>Total Connectors</b>	(± 10mm)
		1	
2	<b>PCIe 8 pin (6+2) cable</b> 	1	400mm
		<b>Total Connectors</b>	(± 10mm)
		2	
1	<b>SATA cable (4 SATA)</b> 	4	610mm
		<b>Total Connectors</b>	(± 10mm)
		4	
1	<b>Peripheral cable (4-pin)</b> 	4	445mm
		<b>Total Connectors</b>	(± 10mm)
		4	

**Bulldog Compatibility List**

**CPU Compatibility**

Bulldog is compatible with Intel LGA1151 Core i7/i5/i3/Pentium/Celeron CPUs only.

**Graphics Card Compatibility**

Bulldog is compatible with PCI Express graphics cards only.

**Graphics Card Dimensions:**

**Length:** 12" / 300mm

**Height:** 4.2" / 115mm

**Slots:** Up to two

**Validated Liquid Cooled Graphics Cards:**

AMD Radeon R9 Fury X

Corsair Hydro GFX 980 Ti

Corsair Hydro GFX 1080

EVGA Hybrid GeForce GTX 980 Ti

MSI Sea Hawk 980 Ti

MSI Sea Hawk 1070

MSI Sea Hawk 1080

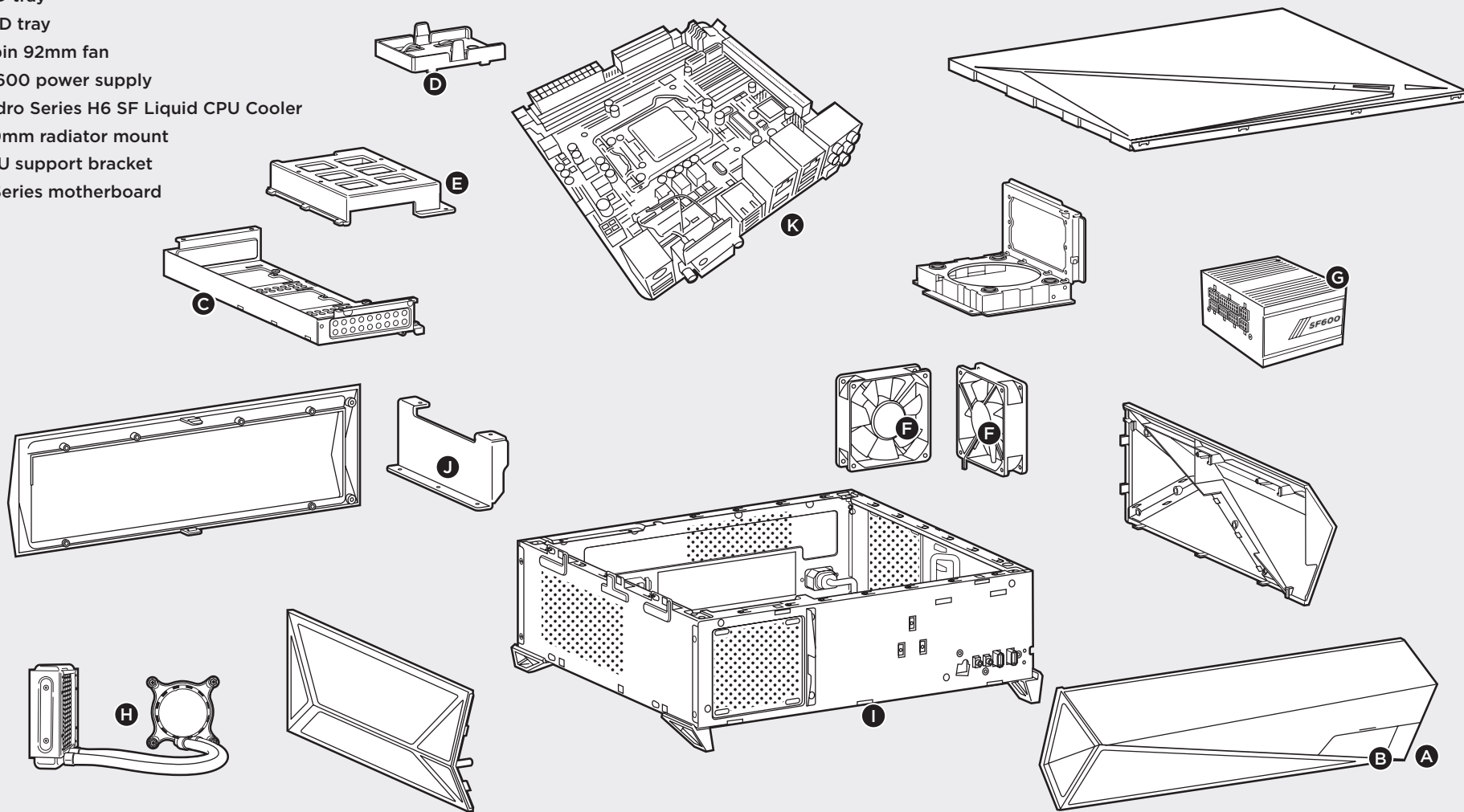
**Validated Liquid Cooling Solutions for Graphics Cards:**

Corsair Hydro Series HG10 brackets in combination with Corsair Hydro Series H55 liquid coolers. For bracket compatibility, please refer to the HG10 compatibility lists on Corsair.com.



**Bulldog Features**

- Ⓐ Power button
- Ⓑ I/O panel (x2 USB 3.0, headphone/mic, and reset)
- Ⓒ Drive tray
- Ⓓ SSD tray
- Ⓔ HDD tray
- Ⓕ 4-pin 92mm fan
- Ⓖ SF600 power supply
- Ⓗ Hydro Series H6 SF Liquid CPU Cooler
- Ⓘ 120mm radiator mount
- Ⓝ GPU support bracket
- Ⓚ Z-Series motherboard

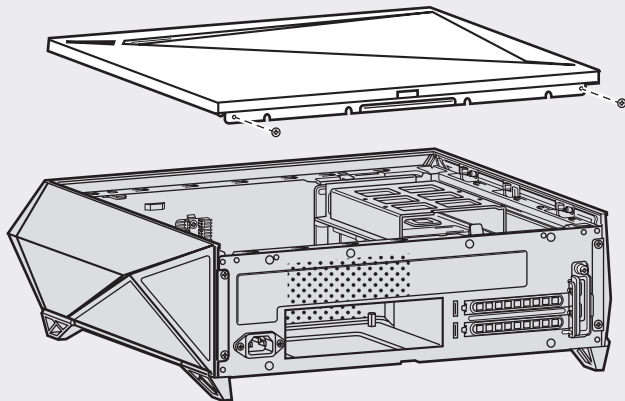




**Before You Start:** This manual will walk you through building a system in Bulldog, but you can also visit [corsair.com/bulldog](http://corsair.com/bulldog) for a step-by-step video, or contact customer service for additional help.

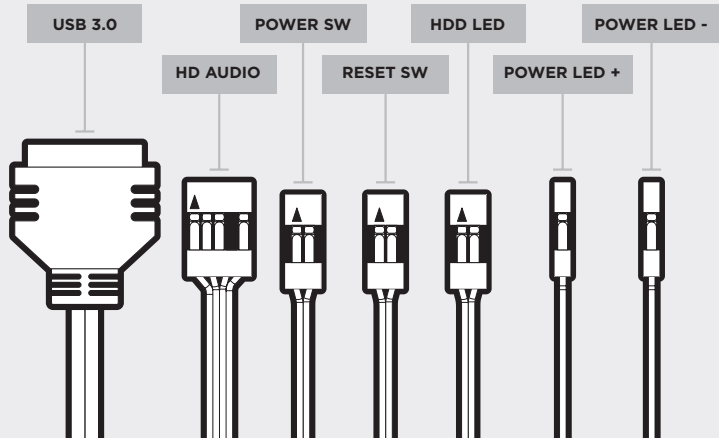
### Removing the Top Panel

Unscrew the two thumbscrews holding the top panel in place, then lift and slide it off. Note that there is a cable connected to the panel that powers the LEDs; you'll need to disconnect that as well.



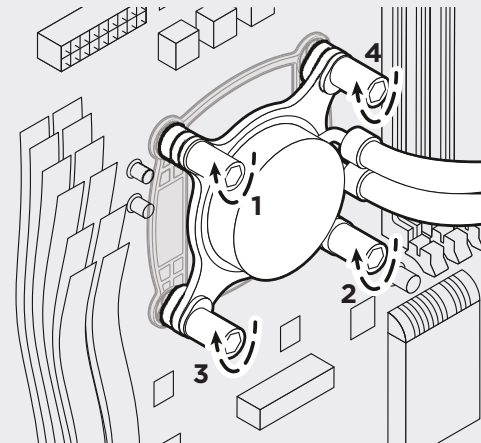
### Installing the CPU, Memory, and Front Panel Headers

Please refer to the motherboard's manual for instructions on how to install a CPU and memory as well as how to connect the USB 3.0 and HD audio headers.



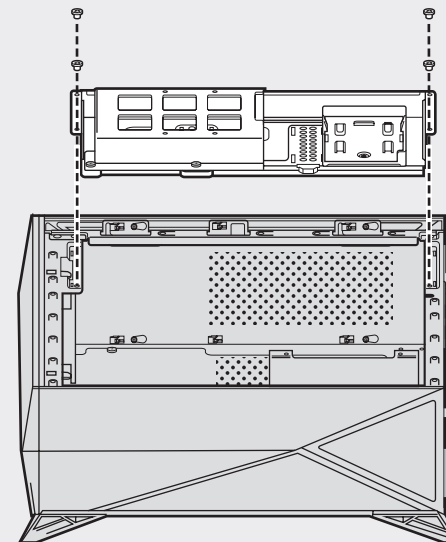
### Mounting the H6 SF Block

Remove the block from the foam and discard the foam, then remove the protective cap from the block. Mount the block to the CPU as shown. Partially tighten each screw, rotating in the order shown, and repeat until each screw is fully tightened. Do not over-tighten. Then connect the power cable from the block to the Y-cable next to the CPU socket.



### Removing the Drive Tray

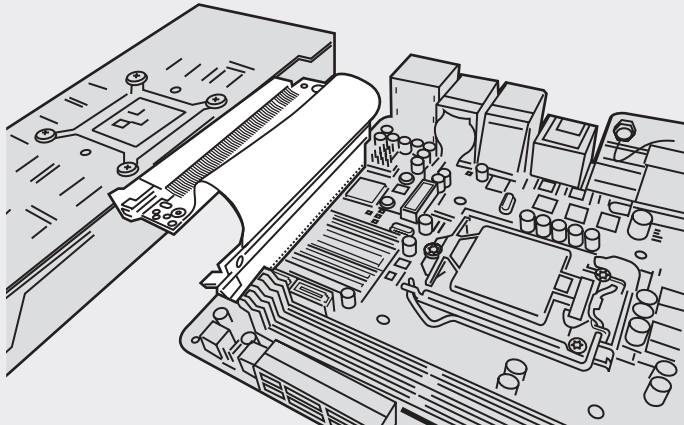
Undo the twist tie binding the cables to the drive tray, then remove the four screws holding the tray in place. Then, lift out the tray.



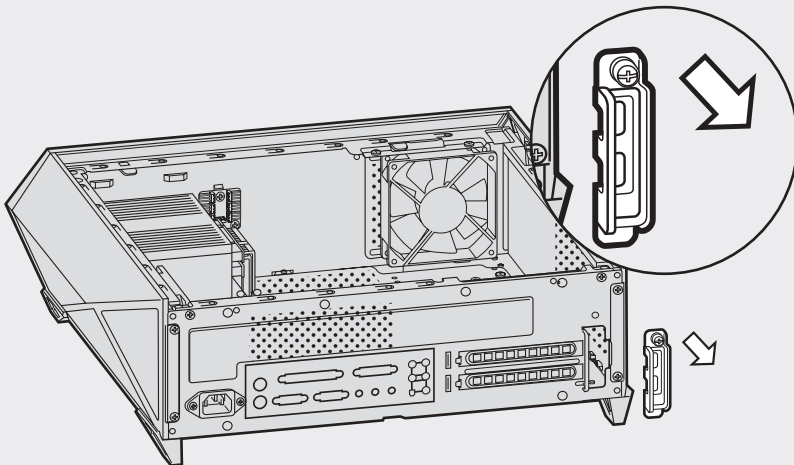


**Installing a Graphics Card**

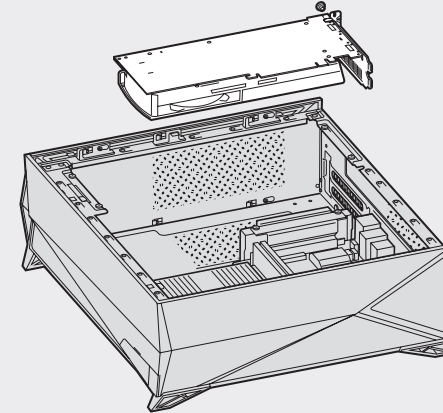
1. Remove the screws holding the riser ribbon to the bracket, then connect the riser ribbon to the graphics card.



2. Unscrew the retaining clip on the rear of the case, to the right of the expansion slots, and remove the clip. Then remove the slot covers.



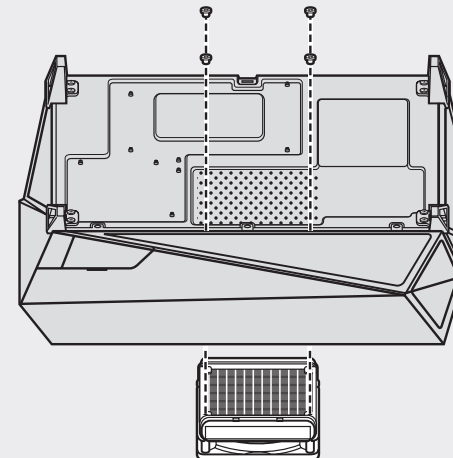
3. Connect any power cables needed (marked PCIe in cable kit) to the graphics card, then connect those cables to the power supply. Align the graphics card's bracket with the expansion slots in the rear of the case, screw it into the slots, then replace the retaining clip and thumbscrew.



*Optionally, you can also affix the two foam padding blocks included with Bulldog beneath the graphics card to support it. Be sure not to obstruct any fans on the card's cooler.*

**Mounting the Graphics Card Radiator** (Optional)

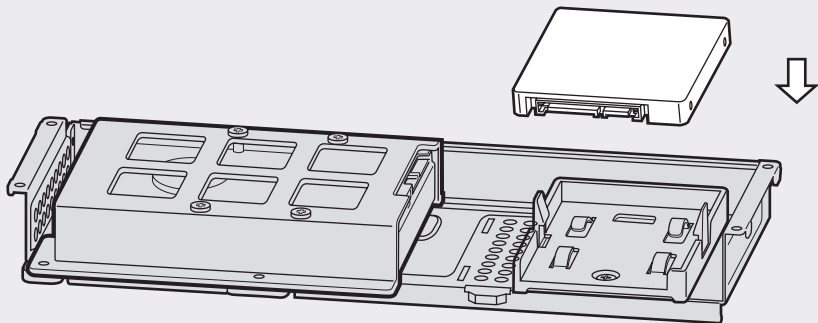
If your graphics card has a 120mm radiator, you can mount it to the bottom of the interior of the chassis. Peel off the cover blocking this mount, then affix the radiator with the fan blowing down and out of the case using the screws included with Bulldog. Note that you may have to remove the graphics card and/or compress the power cables on the power supply to ensure fitment.



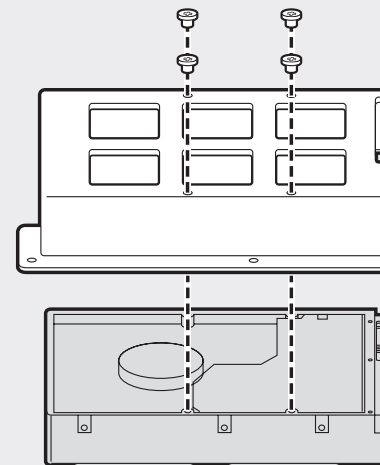


**Installing a 2.5" SSD or Hard Drive**

Push the drive down into the top of the 2.5" drive tray until it snaps into place.

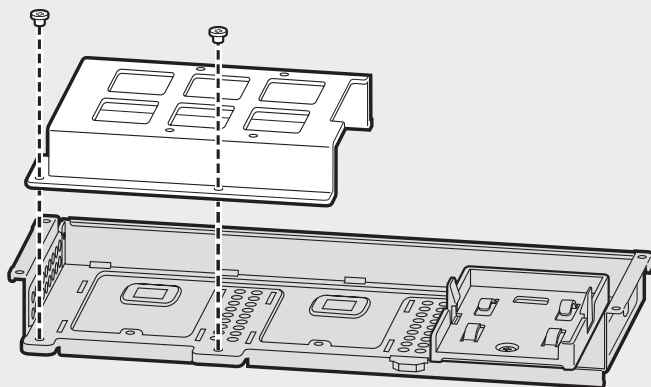


- 2. Using the included HDD screws, affix the bottom of the drive to the inside of the caddy.

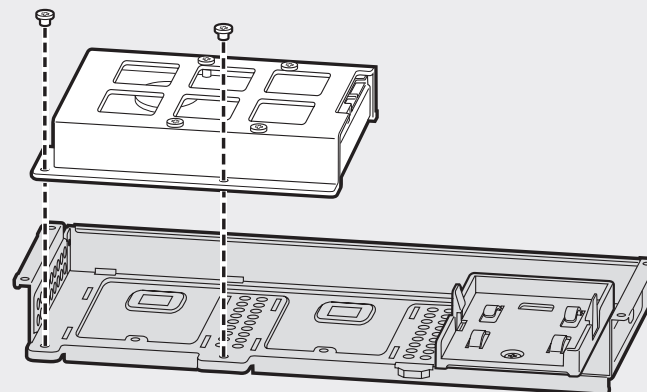


**Installing a 3.5" Hard Drive**

- 1. Remove the two screws affixing the caddy to the tray and tilt it out.



- 3. Tilt the caddy back into the tray, then secure it with the original screws.

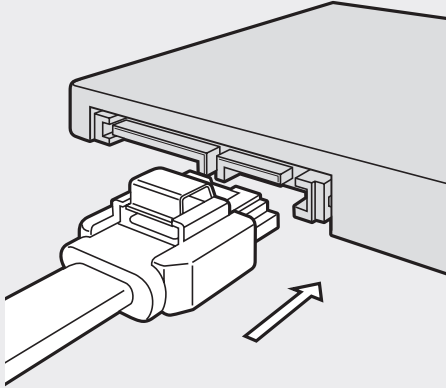




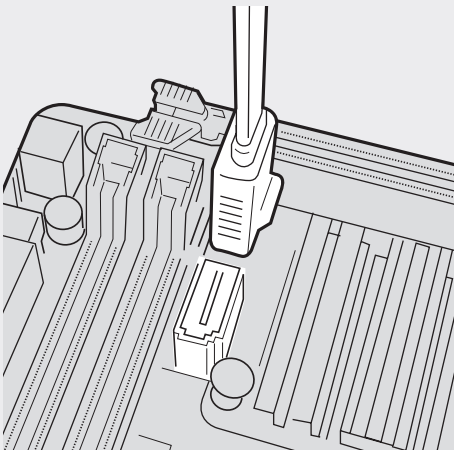


**Connecting SSDs and Hard Drives**

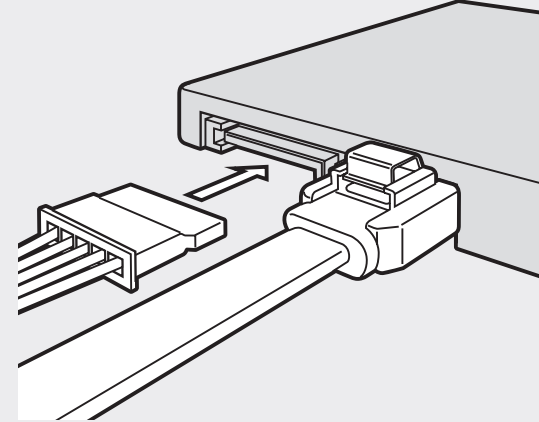
1. Attach an included SATA data cable to the port of the back of the drive.



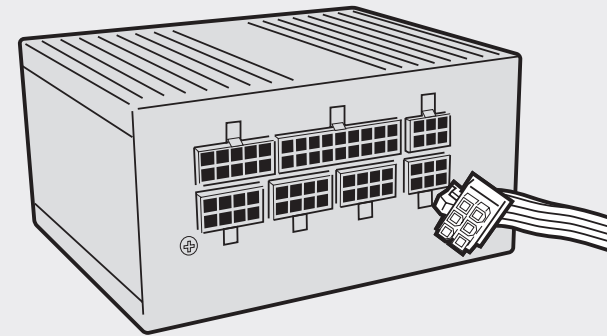
2. Attach the other end of the cable to a port on the motherboard.



3. Attach an included SATA power cable to the port on the back of the drive.



4. Attach the other end of the power cable to the power supply.





**Bulldog Placement**



*Make sure Bulldog is placed in an area where it can receive proper airflow, such as an open shelf.*

**Additional Resources**

For instructional videos on assembly, additional information about Bulldog, information about products compatible with Bulldog, or technical support, please visit our website at [corsair.com/bulldog](http://corsair.com/bulldog).

**Corsair Limited Warranty**

Corsair provides a warranty to the original purchaser only that any genuine Corsair hardware product purchased from an authorized Corsair reseller will be free from defects in material and workmanship for a specific length of time from the date of purchase. The warranty period will vary by specific product, as identified in your user documentation, or on the product package. In the event any of these warranty periods differ, the longest specified warranty period will apply.

Except where prohibited by applicable local law, this warranty is limited to the original purchaser and is non-transferable. This warranty provides you with specific legal rights, and you may have additional rights that vary under local laws.

In general, this warranty means your Corsair power supply is guaranteed to operate, as specified by its data sheet and/or product documentation, and in the operating environment for which it was intended, for the life of the product or the extent of the warranty.

**Remedies**

Corsair's entire liability and your exclusive remedy for any breach of warranty shall be, at Corsair's exclusive discretion: 1) to repair or replace the hardware, or 2) to refund the price paid, provided that the hardware is returned to the original place of purchase, or another place as directed by Corsair, with the original sales receipt (or a valid copy thereof). You may be required to pay shipping and handling charges, as well as any applicable tariffs, duties, taxes, or other fees, except where prohibited by applicable local law. Corsair may, at its exclusive discretion, use new, or used/refurbished parts in good working condition, to repair or replace the hardware. Any repaired or replacement hardware will be warranted for the remainder of the original warranty period, or thirty (30) days, whichever is greater, or for any additional period of time that is specified by law in your local jurisdiction.

**Obsolete or Discontinued Products**

Whenever possible, an obsolete or discontinued product will be replaced with the same product. If Corsair is unable to replace your obsolete or discontinued product with the same product, Corsair will replace that product with a new product of similar function and equal or greater value.

**Exclusions**

This warranty does not cover problems or damage resulting from, but not limited to, any of the following:

1. Wear and tear associated with normal use
  2. Any modification, abuse, accident, disassembly, misapplication, or unauthorized repair
  3. Removal of any manufacturer label(s) or sticker(s)
  4. Any improper operation, including any use not in accordance with any supplied product instructions
  5. Connection to any improper voltage supply
  6. Use of consumables, such as replacement batteries, not supplied by Corsair, except where such restriction is prohibited by applicable local law.
  7. Any other cause which does not relate to a product defect in materials or workmanship
- Also excluded from this warranty are counterfeit products; that is, products that Corsair, at its sole discretion, determines were not manufactured by Corsair or any of its authorized manufacturing partners.

**Limitation of Liability**

CORSAIR SHALL NOT BE LIABLE FOR ANY SPECIAL, INCIDENTAL, INDIRECT, OR CONSEQUENTIAL DAMAGES WHATSOEVER, INCLUDING BUT NOT LIMITED TO LOSS OF PROFITS, REVENUE, OR DATA (WHETHER DIRECT OR INDIRECT) OR COMMERCIAL LOSS FOR BREACH OF ANY EXPRESS OR IMPLIED WARRANTY ON YOUR PRODUCT EVEN IF CORSAIR HAS BEEN ADVISED PREVIOUSLY OF THE POSSIBILITY OF SUCH DAMAGES. Some local laws do not allow the exclusion or limitation of special, indirect, incidental or consequential damages, so this limitation or exclusion may not apply in your jurisdiction.

**Duration of Implied Warranties**

EXCEPT AS PROHIBITED BY APPLICABLE LAW, ANY IMPLIED WARRANTY OR CONDITION OF MERCHANTABILITY OR FITNESS FOR A PARTICULAR PURPOSE ON THIS HARDWARE PRODUCT IS LIMITED IN DURATION TO THE DURATION OF THE APPLICABLE LIMITED WARRANTY PERIOD FOR YOUR PRODUCT. Some local laws do not allow limitations on how long an implied warranty may last, so this limitation may not apply in your jurisdiction.

**National Statutory Rights**

Consumers may have legal rights under applicable national legislation governing the sale of consumer goods. Such rights are not affected by the warranties in this Limited Warranty.

**No Other Warranties**

No Corsair employee, dealer, or other agent is authorized to make any modification, extension, or addition to this warranty.

**How to Make a Warranty Claim**

Before submitting a warranty claim, we suggest you contact our technical support group or visit [corsair.com](http://corsair.com) and review the support section for technical assistance. A simple fix for your problem may be found there.

Generally, valid warranty claims should be processed through your original point of purchase during the first thirty (30) days after purchase. This period may vary depending on where you purchased your product; please verify the return policy with the retailer where you purchased your product. Any warranty claims that cannot be processed through your original point of purchase should be addressed directly to Corsair. Our customer service contact information can be found on the web at [corsair.com/contact](http://corsair.com/contact) or in the documentation included with your product

Please see [corsair.com/warranty](http://corsair.com/warranty) for instructions for obtaining an RMA number.