

AMR1P32

Grommet Mount Max 32" Monitor

The AMR1P32 is a Grommet-style monitor stand with an adjustable height that supports 1 LCD monitor. The convenient grommet base fits into existing holes on the desk. With no overhang and a strong grip this mount is perfect for those wanting to create a more ergonomic and functional environment. SEE MORE and DO MORE™ with features like:

- 90 Degree Monitor Rotation,
- Height Adjustment,
- Cable Management,
- Arm Angle Adjustment, PowerTorque™ Hinge System,
- Aluminum Alloy Structure,
- Easy Installation and VESA Mounting.



Our LCD/LED monitor stand is an advanced display system providing increased efficiency and productivity. This is through the use of our PowerTorque™ Hinge System, which allows for display rotation, swivel and tilt functions. In addition to these features, the device is also compatible with VESA 100x100/75X75 and suitable for monitor sizes 24" to 32" .

Specifications

General

Mounting Pattern:

- 200x100/100x100/75x75mm

Screw Type:

- M4

Material:

- Steel/Aluminum Alloy/Plastic

Dimensions
(W x H x D):

- 226 x 505 x 128 mm
8.9" X 19.88" x 5.04"

Weight:

- 1.84 kg (4.06 lbs)

Support Flat Pannel Size:

- 24"-32"

Hinge Module

Swivel(Hinge):

- Adjustable

Support Max Weight:

- 15kg (33.1lbs)

Tilt(Hinge):

- Max. +/-15°

Rotate(Pivot):

- 360°

Height Adjust Range (Max.)

- 430 mm (16.93")

Torque Adjust:

- User Adjustable

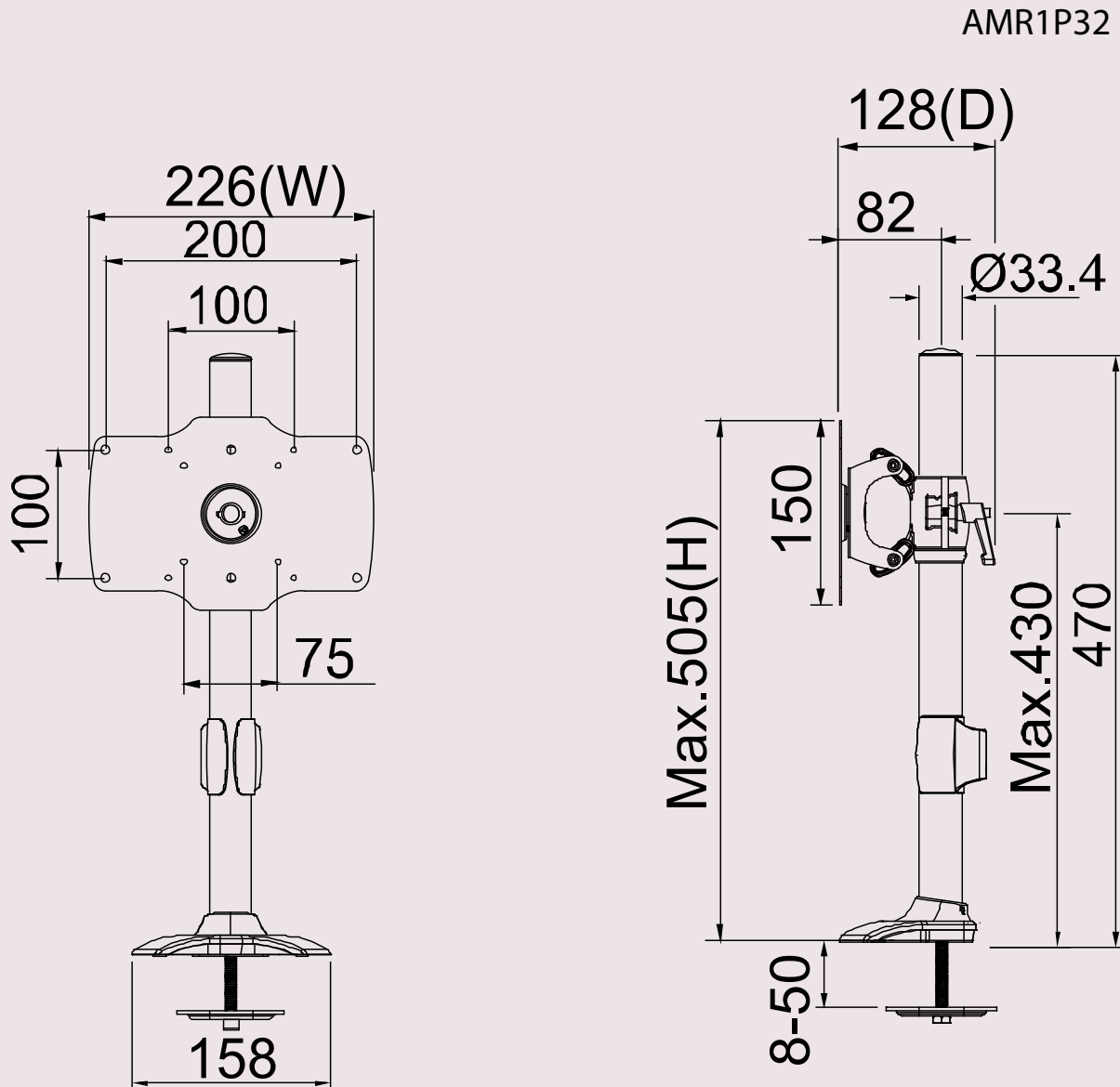
Warranty and Support

Warranty: 3 Years

Support: Free technical support (phone/email)

AMR1P32

Grommet Mount Max 32" Monitor



All measurement in mm

www.amer.com / www.amermounts.com

sales@amer.com
1-800-262-9703

Specifications subject to change without notice. Errors and omissions excepted. All trademarks are properties of their respective owners.

Revision 1.03