

Portable Pull-up Projector screens

This unique, portable screen is easy to use and very stable with its sturdy casing on the bottom.

The Panoview Pull Up is an ideal screen for travelling, whether it's from room to room or around the country.

This screen is available in both business presentation and home theatre formats.

These screens are also great for rental properties when you are unable to mount a screen to the wall.

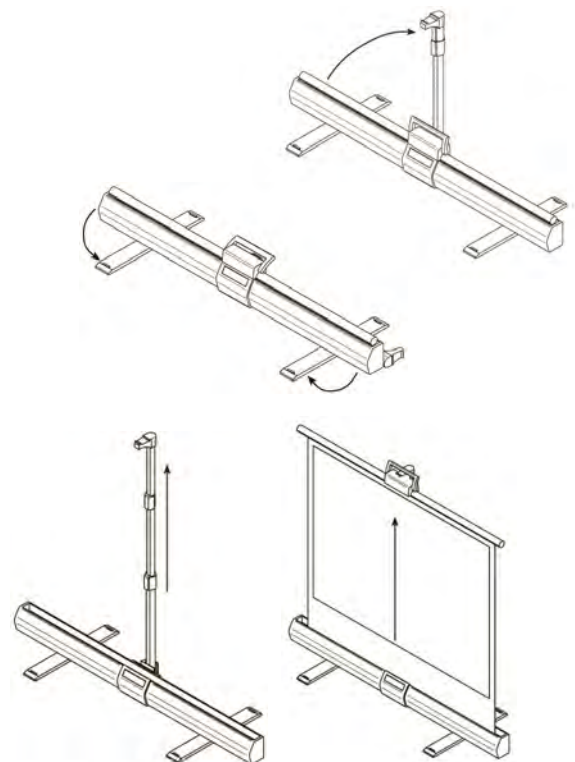


➔ Matte White

The projection surface utilizes unique materials creating a smooth surface for superior image quality. The flexible projection surface is suitable for all occasions and ensures a color-rich reflection and sharp pictures.

➔ Features

- Light Weight, fully portable, ergonomically designed.
- Spring loaded screen self-retractable, lockable handle.
- Swivel legs, self standing front projection display.
- The high quality alloy is solid yet light, and is designed to be extremely mobile and easy to travel with.
- Perfect alternative to the traditional tripod screen.



Model Number	Screen Description	Image Size (diag.)	Format	Viewing Area	Case Size	Net Weight (kg)
DP-3072MWL	Matte White	72"	4:3	1460 x 1100	1620 x 60 x 77	5.2
DP-9080MWL	Matte White	80"	16:9	1770 x 995	1930 x 60 x 77	6.1

For more information, please visit www.panoview.eu