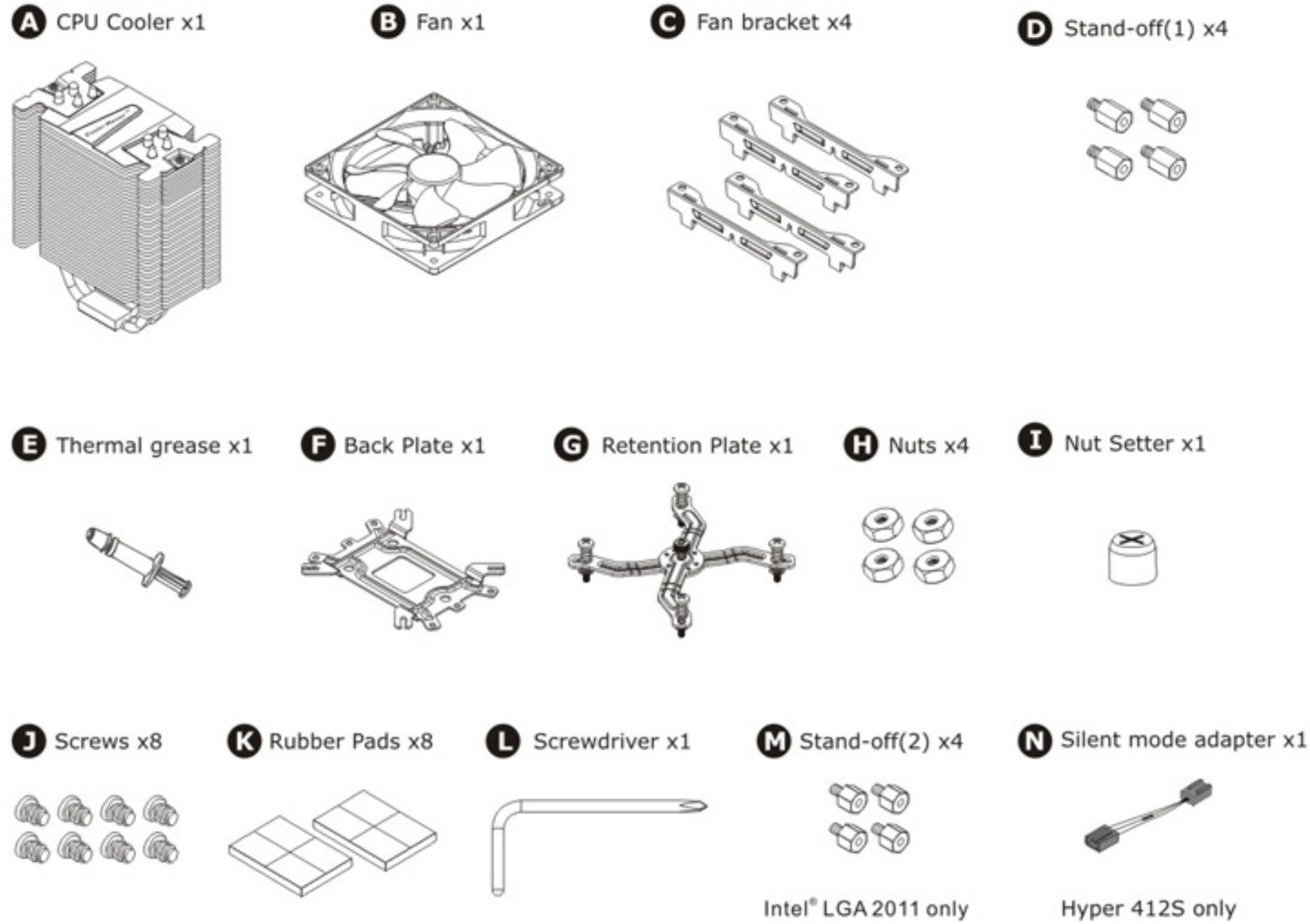
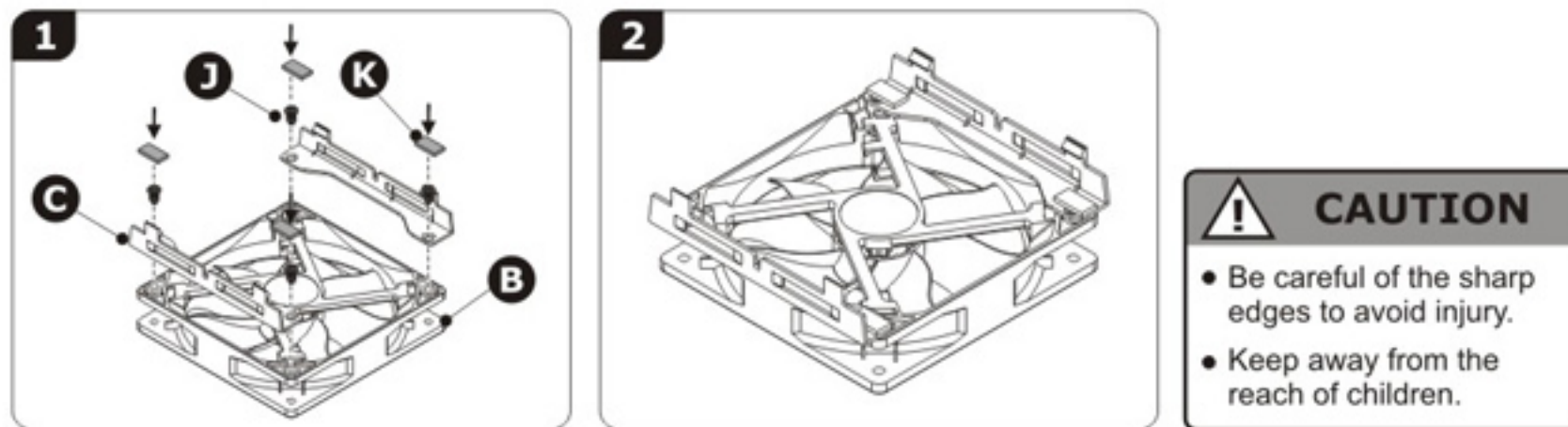


Check the following items in your package. Contact your retailer if any item is damaged or missing.

### Parts

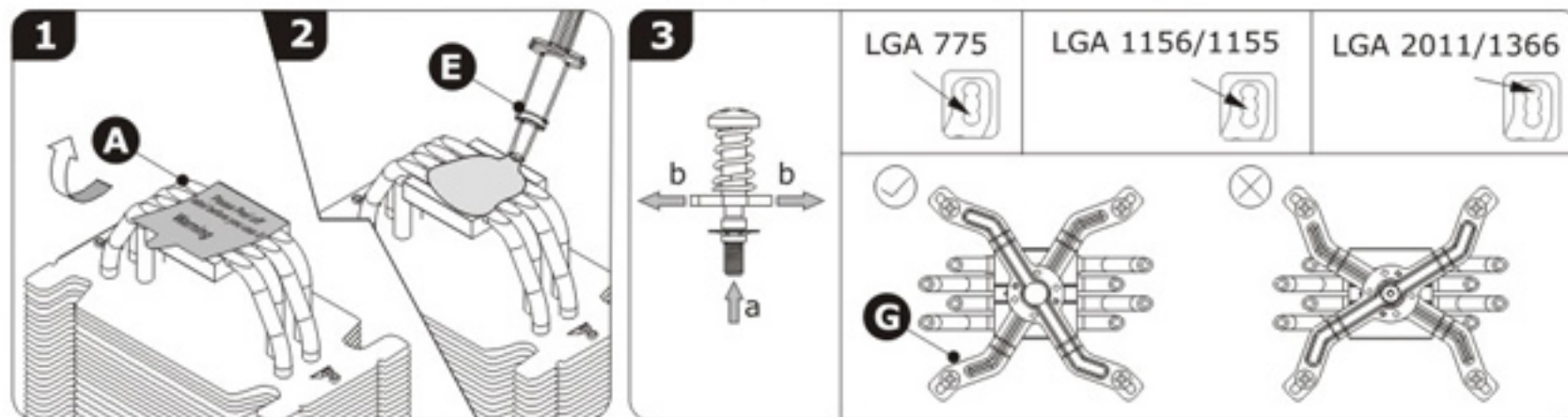


### Fan Installation



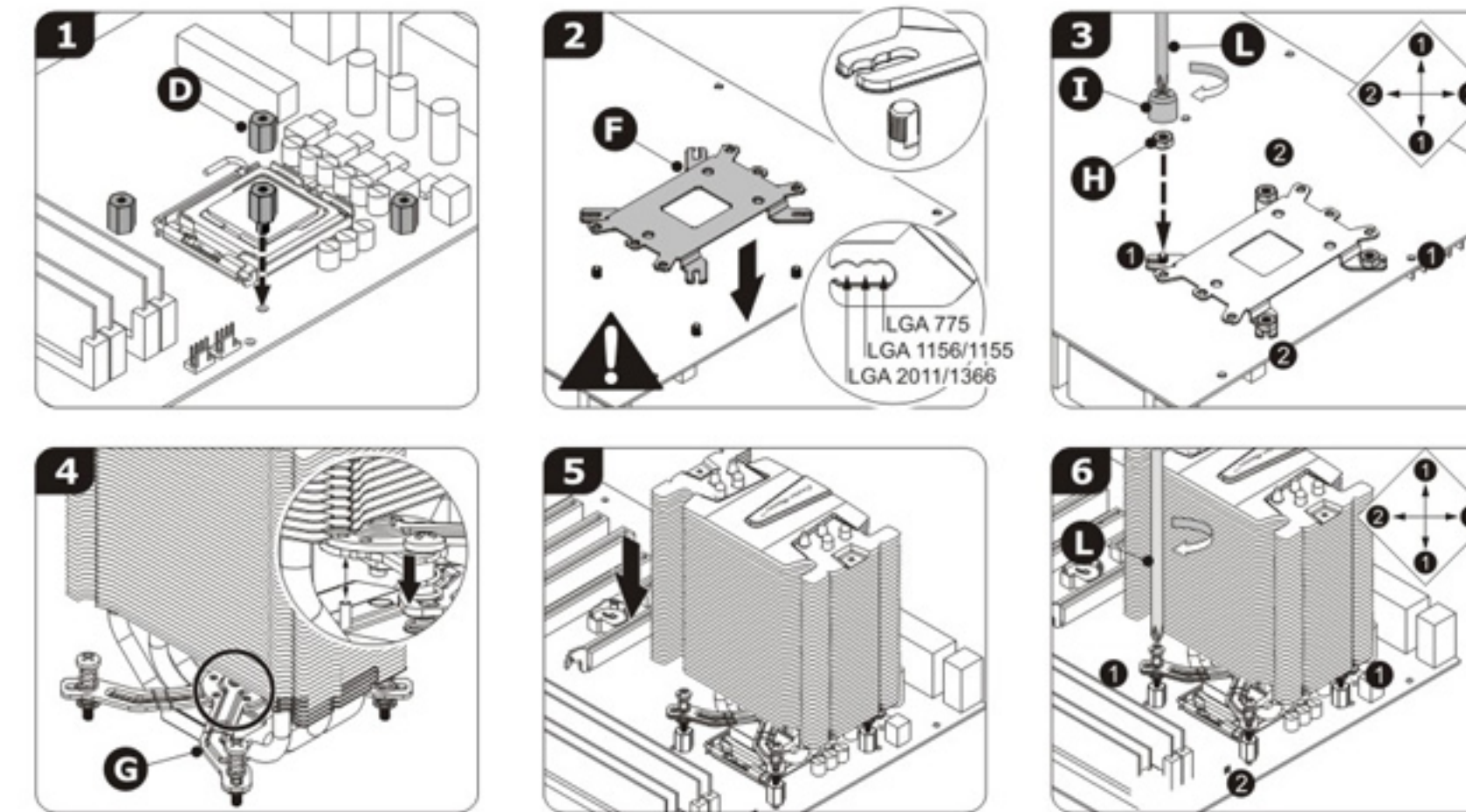
### Installation Procedures

Before installation, please select the proper type suitable for your CPU platform.



- Before use, please remove the protective layer on the bottom of the cooler.
- Apply a thin layer of thermal grease onto the surface of the cooler base.
- There are three different sets of holes available for Intel sockets (LGA 2011 / 1366 / 1156 / 1155 / 775). Please adjust the pin and screw position based on your CPU specification.

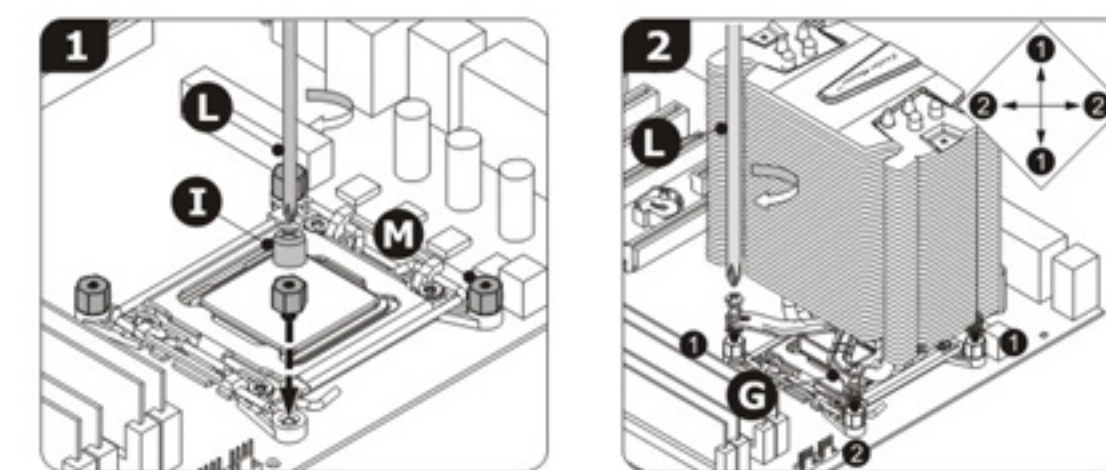
### Intel® Socket LGA 1366 / 1156 / 1155 / 775



- Stick the stand-offs around the mounting holes of the motherboard.
- Turn over the motherboard and place the back plate in accordance with the positions of stand-offs.
- Tighten up the nuts diagonally at the same time.
- Place the retention plate onto the cooler.
- Place the cooler onto the surface of CPU.
- Tighten up the screws diagonally at the same time.

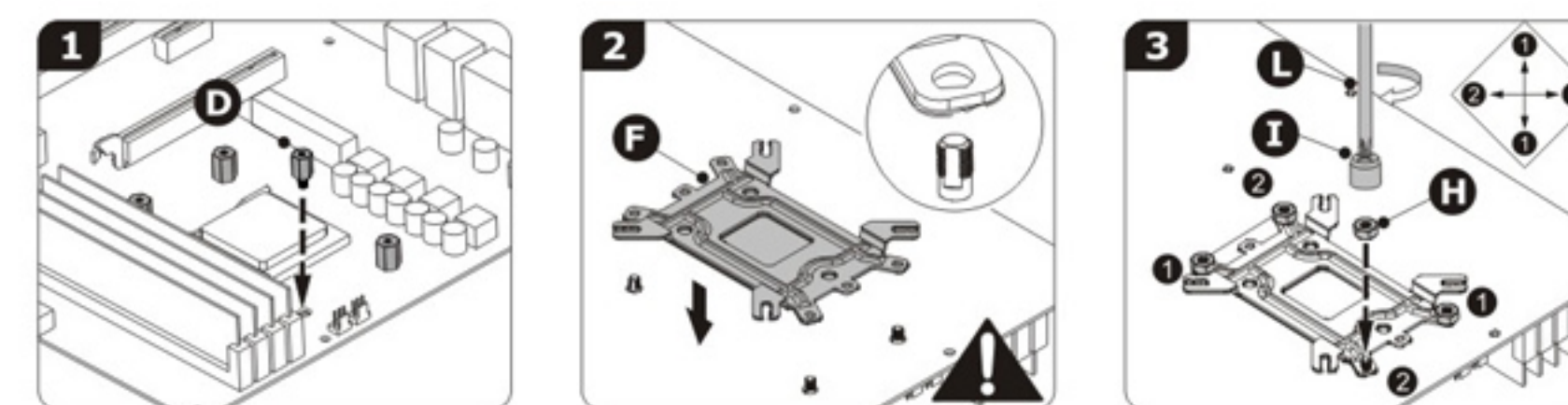
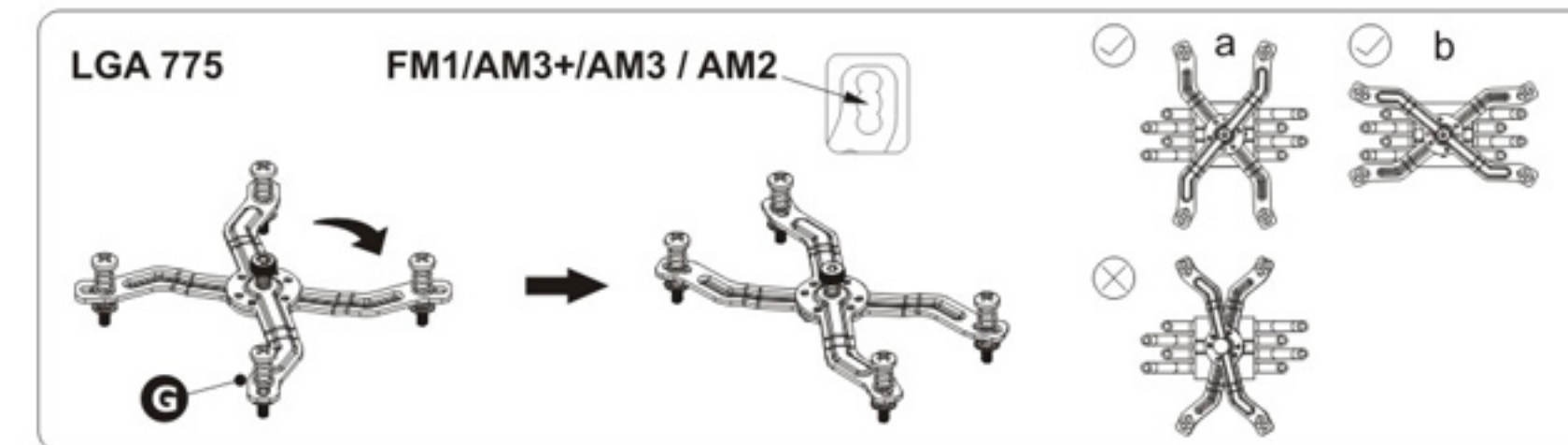
**!** Don't peel off the insulating tape. The insulating tape must face the motherboard.

### Intel® Socket LGA 2011

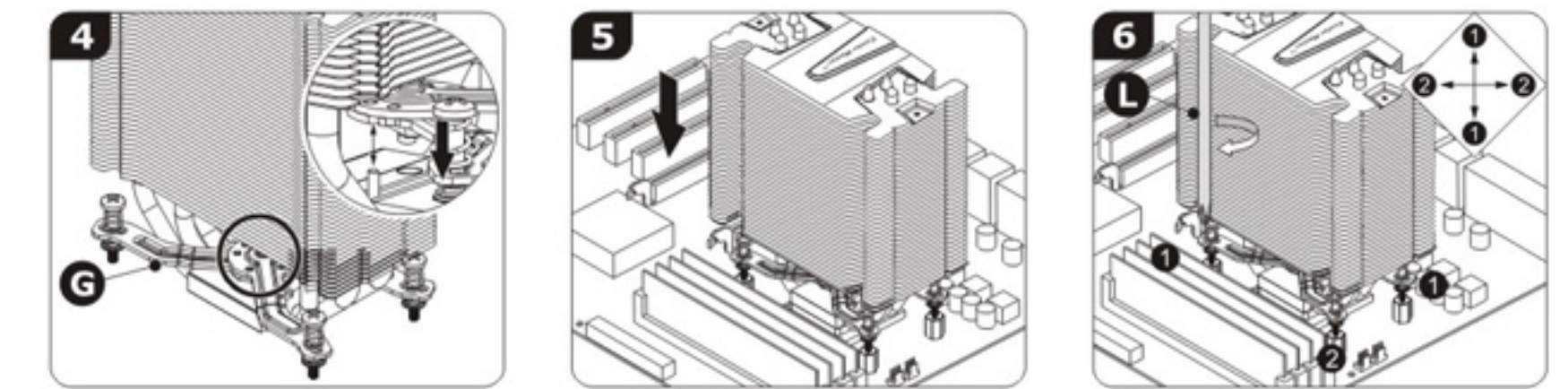


- Fasten the stand-off to the motherboard.
- Fasten this cooler on the mainboard (Tighten up the cooler onto the surface of CPU)

### AMD Socket FM1/AM3+/AM3 / AM2



- Adjust the retention plate to AMD socket position.
- Stick the stand-offs around the mounting holes of the motherboard.
  - Turn over the motherboard and place the back plate in accordance with the positions of stand-offs.
  - Tighten up the nuts diagonally at the same time.

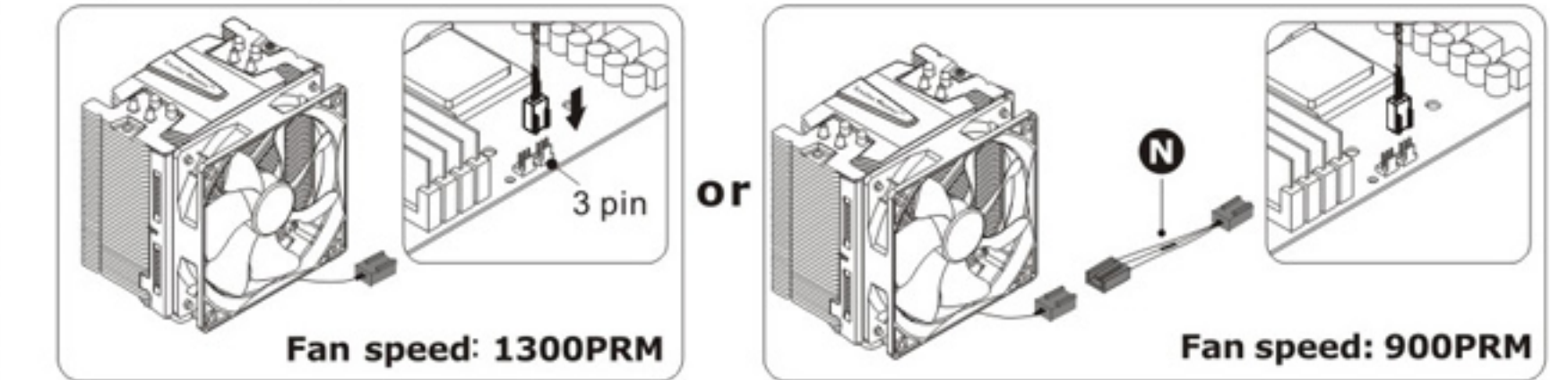


- Place the retention plate onto the cooler.
- Place the cooler onto the surface of CPU.
- Tighten up the screws diagonally at the same time.

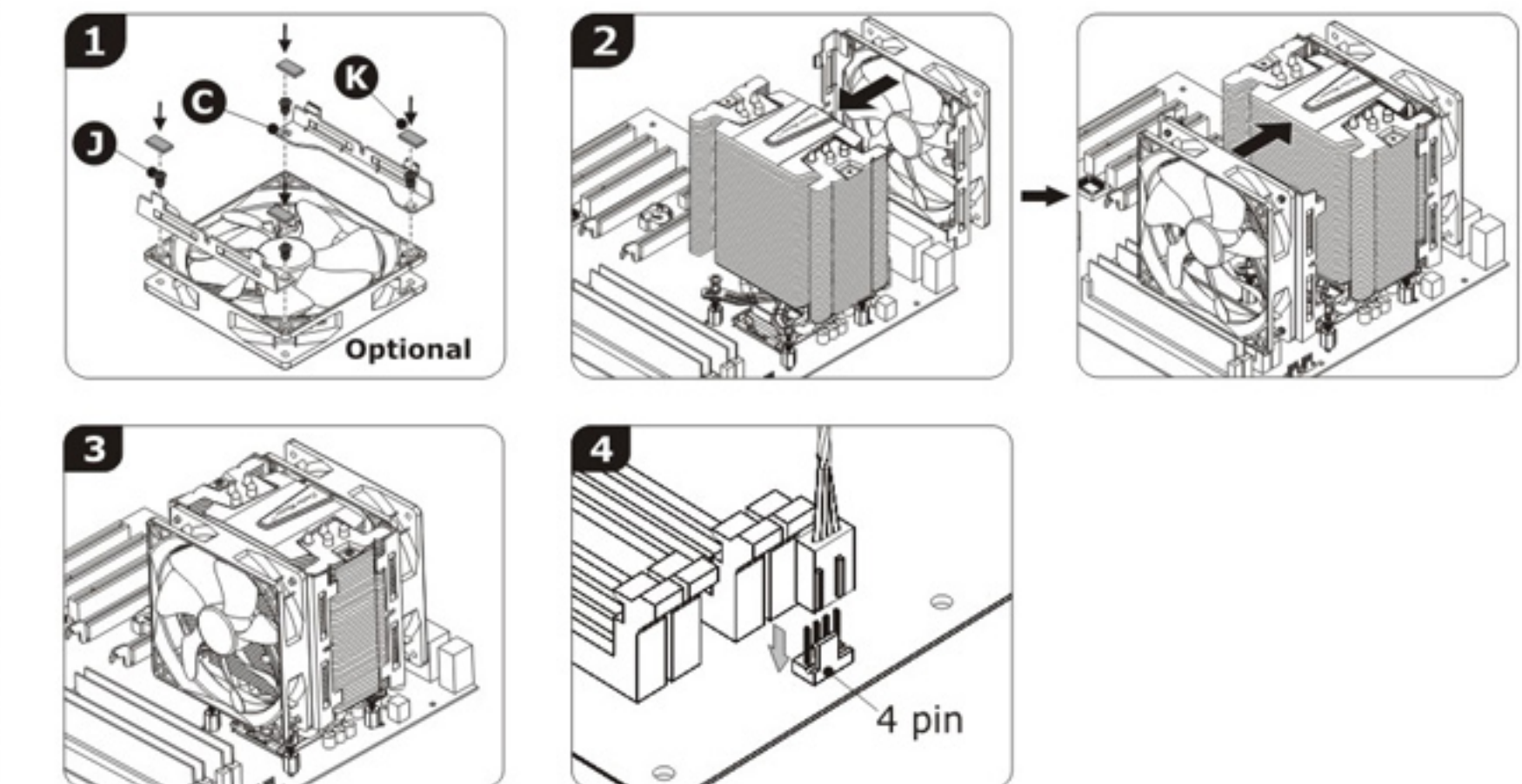
**!** Don't peel off the insulating tape. The insulating tape must face the motherboard.

### Silent Mode Adapter

\*Hyper 412S only



### Fan Installation



- Attach the fan brackets to the fan.
- Attach the fan to the cooler.
- Depending on your need, you could mount 2<sup>nd</sup> fan to the cooler.
- Connect the power cable.

• Picture for reference only  
• Information in this document is subject to change without notice

In no event shall Cooler Master be liable for any special, indirect, incidental or consequential damages arising from any defect or error in this manual or product.

Live Help  
<http://www.cooler-master.com/livehelp>  
For the most updated information, please visit our official website: <http://www.cooler-master.com>

